

RFQ # 16-3008-26
BUS SHELTER GLASS
Bronze Tinted Safety Laminated Glass and
Bronze Tinted Polycarbonate Panels

The Kansas City Area Transportation Authority (KCATA) requests quotations from qualified bidders/vendors to provide bronze tinted safety laminated glass and bronze tinted polycarbonate panels for KCATA bus shelters. Release of this RFQ/solicitation does not compel the KCATA to purchase.

Submittal of Quotations: Your written quotation must be received no later than **12:00 p.m. August 10, 2016** via fax or email to Rebecca Clyma, Buyer, at RCLYMA@KCATA.ORG 816/346.0807.

Quotations must be submitted to KCATA using the attached bid form. Modifications to the form or substitution of the quotation document(s) may deem the Proposer non-responsive. All requested documents, as specified, are due at the time of price/quote submission. Failure to provide documents may deem the Proposer non responsive and therefore the bid/quote not considered.

Type of Contract: KCATA contemplates award of a firm fixed price contract with the successful vendor. The initial order, if awarded, will be for thirty-two (32) each of the 1/2" Bronze Tinted Polycarbonate side and rear panels and thirty-two (32) each of the 1/2" Bronze Tinted Laminated Safety rear and side panels. .

Period of Performance/Contract Term: For a period of one (1) year from date of award.

Basis for Award: Contract award, if any, will be made on the basis of the lowest responsive bidder complying with all the conditions of the bids, specifications, and instruction. Any such award will be made within 30 days after receipt of the quote.

- a. If awarded at all, the bid may be awarded to the bidder whose total price is lowest, whose bid is responsive to the invitation thereof, and who is determined to be technically and financially responsible to perform as required. The KCATA reserves the right to accept another bid, if it is in the best interest of the Authority. **Conditional bids and any bid taking exception to these instructions or conditions, to the contract conditions or specifications, or to other contract requirements may be considered non-responsive and may be rejected.**

Minimum Acceptance Period: Thirty (30) calendar days.

Reservations: KCATA reserves the right to waive informalities or irregularities in quotes, to reject any or all quotes; to cancel this RFQ in part or in its entirety.

Split Award: *(If applicable)* KCATA reserves the right to split the bid and award to bidders on an item by item basis. Any bid that is submitted on an "All or Nothing" basis should be marked as such.

Tax Exempt Status: The Kansas City Area Transportation Authority is exempt from federal excise, federal transportation and state sales tax and such taxes shall not be included in price quotations. All discounts should be reflected in the quote. By submission of quote, the bidder certifies that none of the taxes as to which the Authority is exempt, are included in its bid price(s).

Note to Vendors: Please be advised that all vendors and contractors doing business with KCATA, or who may do business with KCATA, must be registered in the KCATA Vendor Registration System before they can be awarded a contract. If you have not registered, please do so at the Doing Business tab of www.kcata.org. Please be aware that it is the vendor's responsibility to register and update all information at www.kcata.org.

Contractors doing business with KCATA must certify that they are enrolled in and are participating in a federal work authorization program (i.e., Department of Homeland Security's E-Verify Program). You may wish to visit the World Wide Web and search these links for guidance in obtaining e-verification information if you are unfamiliar with the process: www.https://e-verify.uscis.gov/emp or www.dhs.gov/E-Verify. **This applies to bids in excess of \$5,000.**

Approved Equals: Wherever brand, manufacturer, or product names are used, they are included only for the purposes of establishing a description of minimum quality of the requested item unless otherwise specified. This inclusion is not to be considered as advocating or prescribing the use of any particular brand or item or product. However, approved equals or

better must be pre-approved by the Buyer prior to bid submission date and time. *All requests for approved equals shall be received in writing by no later than Tuesday, August 9, no later than 4:00 p.m. central time.* Any changes to the specifications will be made by addendum. Bidders may discuss the specification with the KCATA Procurement Department; however, requests for changes shall be written and documented. When an approved equal is requested, the Bidder shall demonstrate the quality of its product to the KCATA, and shall furnish sufficient technical data, test results, etc. to enable the KCATA to determine whether the Bidder's product is or is not equal to specifications.

Attachment A
Specifications or Standards of Work
RFQ # 16-3008-26

Purchase of Bronze Tinted Laminated Safety Glass and Bronze Tinted Polycarbonate Glass Panels

KCATA seeks a vendor to provide at minimum the product items specified in Attachment B or an approved equal. The initial order will be for the quantities specified in Attachment B. KCATA may purchase, but will not be required to purchase, additional panels for the duration of this contract at the contracted price.

Delivery Requirements: Price must include delivery to **KCATA, 1350 E. 17th Street, Kansas City, Missouri 64108**. A packing slip must be included with each shipment, which must include at least the following information in no particular order:

1. Item Description
2. Quantity Ordered
3. Quantity included in the specific shipment
4. Any back-order items
5. Number of delivery packages/parcels
6. Purchase Order Number
7. Material Safety Data Sheets (MSDS) as applicable to the product. An initial MSDS must, at a minimum, accompany the first shipment of the item and updated as required.

The supplier shall expedite any delivery that is required to correct a mishandled order that occurs due to the supplier's negligence or error. Any rush delivery that occurs as a result of the supplier's error (e.g., out of stock items) shall be free of any associated expedited delivery processing or mailing/handling charge. No handling surcharges shall be added or discounts lost for any rush or expedited orders required to correct the supplier's error.

The Supplier shall delivery products in accordance with the contracted delivery times stated herein to the KCATA upon receipt of an authorized Purchase Order.

Delivery shall include unloading shipments at the KCATA's dock or other designated unloading site as requested by KCATA.

For: _____**Bronze Tinted Laminated Safety Glass and Bronze Tinted Polycarbonate Glass Panels**_____

NOTE: Price must include delivery to KCATA, 1350 E. 17th Street, Kansas City, Missouri 64108.

SPECIFICATIONS

BRONZE TINTED SAFETY LAMINATED GLASS

- 1/2" thick
- Side panels need to be 51 5/8" x 59 5/8"
- Rear panels need to be 54 1/4" x 59 5/8"
- Shipped in wooden crates with no more than eight (8) panels per crate
- 32 side panels
- 32 rear panels

BRONZE TINTED POLYCARBONATE GLASS

- ½” thick
- Side panels need to be 51 5/8” x 59 5/8”
- Rear panels need to be 54 1/4” x 59 5/8”
- Shipped in wooden crates with no more than eight (8) panels per crate
- 32 side panels
- 32 rear panels

Architectural renderings indicating placement of panels on both front and rear elevations of KCATA 10’ and 15’ bus shelters are attached to this Request for Quote as Exhibit 1.

**Attachment B
Quotation/Award/Contract**

Quotation Number: 16-3019-26 Date Issued 6/16/16

For: Bronze Tinted Laminated Safety Glass and Bronze Tinted Polycarbonate Glass

NOTE: Price must include delivery to KCATA, 1350 E. 17th Street, Kansas City, Missouri 64108.

Bronze Tinted Laminated Safety Glass	UNIT OF MEASURE	UNIT PRICE	QUANTITY	EXTENDED PRICE
Side Panels • 1/2" thick • 51 5/8" x 59 5/8"	Each	\$	32	\$
Rear Panels • 1/2" thick • 54 5/8" x 59 5/8"	Each	\$	32	\$
GRAND TOTAL:				\$

Bronze Tinted Polycarbonate Glass	UNIT OF MEASURE	UNIT PRICE	QUANTITY	EXTENDED PRICE
Side Panels • 1/2" thick • 51 5/8" x 59 5/8"	Each	\$	32	\$
Rear Panels • 1/2" thick • 54 5/8" x 59 5/8"	Each	\$	32	\$
GRAND TOTAL:				\$

Architectural renderings indicating placement of panels on both front and rear elevations of KCATA 10' and 15' bus shelters is attached to this Request for Quote as Exhibit 1.

All panels are to be shipped in wooden crates containing no more than eight (8) panels per crate.

Describe delivery timeframe after receipt of order (ARO): _____

Warranty Length: _____

The undersigned, acting as an authorized agent or officer for the Bidder does hereby agree to the following:

1. The quote submitted is complete and accurate, including all forms required for submission in accordance with the terms and conditions listed in this Request for Quotation and any subsequent Addenda.
2. The pricing submitted shall remain fixed for the duration of this procurement, unless required, appropriate and required documentation per Escalation Clause has been submitted to and accepted by authorized KCATA personnel.
3. The quantities specified are based upon the best available estimates and do not determine the actual amount the Authority shall order during the contract period. The quantities are subject to change. Payments will be based on actual quantities ordered based on the unit rates quoted.
4. By furnishing and delivering all items ordered or by performing all services ordered Contractor accepts all of the terms and conditions specified herein.

Company Name _____ Date _____

Address/City/State/Zip _____

Authorized Signature: _____ Title _____

Name (Type/Print) _____ Telephone # _____

E-Mail _____ Fax# _____

KCATA's order and Contractor's acceptance will consummate the contract which includes (a) this award, (b) the solicitation and Contractor's quotation and (c) such provisions, representatives and certifications as are attached or incorporated herein by reference.

The total amount of this award is \$ _____

Awarded Bidder: _____

Authorized Signature for KCATA: _____ Date: _____

Michael Graham, CFO

Attachment C
RFQ # 16-3008-26

BRONZE TINTED SAFETY LAMINATED GLASS AND BRONZE TINTED POLYCARBONATE PANELS

Vendors

Santa Fe Glass
145 East Lexington
Independence, Missouri 64050
816-254-5515
Don Donovan
don@santafeglass.net

Binswanger Glass
1530 E. 23rd Street
Independence, Missouri 64055
816-318-7886
Trish Morris
tmorris@binswangerglass.com

Atlas Glass & Door
6510 Royal St.
Pleasant Valley, Missouri 64068
816-792-8088
Scott Mills
Scottm5029@sbcglobal.net

Gates City Glass
1102 Troost Avenue
Kansas City, Missouri 64106
816-421-6082
B. Smith
Bsmith1987@sbcglobal.net

**ATTACHMENT D
KCATA VENDOR REGISTRATION FORM**

Thank you for your interest in doing business with the Kansas City Area Transportation Authority. To be placed on the KCATA Registered Vendors List for goods and services, please complete this form **in its entirety** and return it to the KCATA Procurement Department. Submittal of this registration form will place your company on the KCATA Registered Vendor List, but does not guarantee a solicitation. The list will be periodically purged. If you do not receive solicitations, inquire to confirm that your company remains on our list. Current business opportunities can be found in the "Doing Business with KCATA" section of our website, www.kcata.org.

Firms are required to submit this information to KCATA once. However, it is your responsibility to notify KCATA of any changes to your business that may affect your registration (i.e. address, contact information).

Legal Entity Name:		Phone:	
Doing Business As:		Toll-free Phone:	
Physical Address:		Fax:	
City:		Email:	
State:	Zip:	Website:	
Contact Person Name:		Title:	
Contact Phone:		Contact Email:	
Mailing Address:		Phone:	
City:		Fax:	
State:	Zip:	Comments:	
Business Type:	<input type="checkbox"/> Individual	<input type="checkbox"/> Partnership	<input type="checkbox"/> Corporation
	<input type="checkbox"/> Limited Liability Company	<input type="checkbox"/> Other (Explain) _____	
If Incorporated, in Which State:		Federal Tax ID No:	
Years in Business:		Years in Business Under Current Name:	
Does your firm have a Data Universal Numbering System (DUNS) number as a Federal contractor? If so, please provide. DUNS numbers may be obtained free of charge from Dun & Bradstreet at 1-866-705-5711 or at www.fedgov.dnb.com/webform .			DUNS # _____
Annual Gross Receipts. This information is required by U. S. Department of Transportation and Vendors will be requested to update this information on a regular basis.	<input type="checkbox"/> Less than \$250,000	<input type="checkbox"/> \$250,000 to \$500,000	<input type="checkbox"/> \$500,000 to \$1 Million
	<input type="checkbox"/> \$1 Million to 5 Million	<input type="checkbox"/> \$5 Million to 10 Million	<input type="checkbox"/> More than \$10 Million
Standard Invoice Terms:	Due Days	Discount Days	Percent
Please provide a description of the goods and services you are interested in providing to KCATA. Include the corresponding North America Industry Classification System (NAICS) Codes for your business type. For a listing of the codes visit U.S. Small Business Administration's website at http://www.sba.gov/content/small-business-size-standards .			

NAICS CODE(S) :		NAICS CODE(S):	
NAICS CODE(S):		NAICS CODE(S):	

1. Is your firm a Disadvantaged Business Enterprise (DBE) based on the definitions and U.S. Department of Transportation certification guidelines in 49 CFR Part 26? If YES, submit a copy of a copy of your current certification from your state's UCP.	<input type="checkbox"/> YES	<input type="checkbox"/> NO	<input type="checkbox"/> ENCLOSED
2. Is your firm a Small Business Enterprise (SBE) as defined by the U.S. Small Business Administration's Small Business Size Guidelines and 13 CFR 121? For further information on 13 CFR 121 and SBE designation refer to SBA's website at http://www.sba.gov/content/small-business-size-standards	<input type="checkbox"/> YES	<input type="checkbox"/> NO	<input type="checkbox"/> ENCLOSED
3. Is your firm a Woman-Owned Business Enterprise (WBE) or Minority Owned Business Enterprise (MBE) certified by a nationally recognized organization? If YES, please provide a copy of your certification documentation.	<input type="checkbox"/> YES	<input type="checkbox"/> NO	<input type="checkbox"/> ENCLOSED

4. Does your firm meet any of these other federal business classifications? If YES, please provide a copy of certification documents.

Service Disabled, Veteran Owned Business
 SBA 8(a) Certified Business
 HubZone Program Certified
 Other _____

DBE/SBE CERTIFICATION: The KCATA participates in the U. S. Department of Transportation's DBE and SBE programs. Certification in these programs is based on the regulations in 49 CFR Part 26. If your firm is interested in becoming a certified DBE or SBE, please contact KCATA's Contracting/Supplier Diversity Coordinator at (816) 346-0224 or via email at dadams@kcata.org

WORKER ELIGIBILITY AFFIDAVIT: As required by §285.500 RSMo, et seq., any business contracting to perform work in excess of \$5,000 for the KCATA shall provide a sworn affidavit affirming: (1) its enrollment and participation in a federal work authorization program such as U. S. Department of Homeland Security's E-Verify, accompanied by corresponding documentation to evidence its enrollment in that program; and (2) that it does not knowingly employ any person who does not have the legal right or authorization under federal law to work in the United States. Prior to being awarded any contract with KCATA, you will be required to furnish proof of your firm's participation in such program.

VENDOR CERTIFICATION: I certify that information supplied herein (including all pages attached) is correct and that neither the business entity nor any person in any connection with the business entity as a principal or officer, so far as known, is now debarred or otherwise declared ineligible from bidding for furnishing materials, supplies, or services to the Kansas City Area Transportation Authority or declared ineligible to participate in federally funded projects.

Signature		Date
Printed Name		Title

The following documents must be returned:

- Completed Vendor Registration Form
- KCATA Workforce Analysis/EEO-1 Report
- Affidavit of Civil Rights Compliance (*found on KCATA's website as Attachment B*)

**Return completed Vendor Registration Packet to Kansas City Area Transportation Authority,
 Procurement Department, 1350 East 17th Street, Kansas City, MO 64108
 Fax: (816) 346-0336 or email: dadams@kcata.org**

NOTE: Vendors will be required to submit a signed IRS W9 form prior to authorization of any purchase.

A foreign corporation may not transact business in Missouri until it obtains a Certificate of Authority. To apply, you must use the forms provided by the Missouri Secretary of State's office, as required by law.

**GUIDELINES FOR COMPLETING
KCATA WORKFORCE ANALYSIS/EEO-1 REPORT**

Contractor shall apply the following definitions to the categories in the attached Workforce Analysis/EEO-1 Report form. Contractors must submit the Workforce/Analysis form to be considered for contract award. The form is also required for all subcontractors.

A. RACIAL/ETHNIC

1. **WHITE** (not of Hispanic origin): All persons having origins in any of the original peoples of Europe, North Africa, or the Middle East.
2. **BLACK** (not of Hispanic origin): All persons having origins in any of the Black racial groups of Africa.
3. **HISPANIC**: All persons of Mexican, Puerto Rican, Cuban, Central or South American origin, regardless of race.
4. **ASIAN or PACIFIC ISLANDER**: All persons having origins in any of the original peoples of the Far East, Southeast Asia, the Indian Subcontinent, or the Pacific Islands. This area includes, for example, China, Japan, Korea, the Philippine Islands, and Samoa.
5. **AMERICAN INDIAN or ALASKAN NATIVE**: All persons having origins in any of the original peoples of North America, and who maintain cultural identification through tribal affiliation or community recognition.

B. JOB CATEGORIES

1. **OFFICIALS and MANAGERS**: Includes chief executive officers, presidents, vice-presidents, directors and kindred workers.
2. **PROFESSIONALS**: Includes attorneys, accountants and kindred workers.
3. **TECHNICIANS**: Includes computer programmers and operators, drafters, surveyors, highway technicians, inspectors and kindred workers.
4. **SALES WORKERS**: Includes contract sales representatives, purchasing agents, customer relations representatives and kindred workers.
5. **OFFICE and CLERICAL**: Includes secretaries, book-keepers, clerk typists, payroll clerks, accounts payable clerks, receptionists, switchboard operators and kindred workers.
6. **CRAFT WORKERS** (skilled): Includes mechanics and repairers, electricians, carpenters, plumbers and kindred workers.
7. **OPERATIVES** (semi-skilled): Includes bricklayers, plaster attendants, welders, truck drivers and kindred workers.
8. **LABORERS** (unskilled): Includes laborers performing lifting, digging, mixing, loading and pulling operations and kindred workers.
9. **SERVICE WORKERS**: Includes janitors, elevator operators, watchmen, chauffeurs, attendants and kindred workers.

KCATA WORK FORCE ANALYSIS/EEO-1 REPORT

Report all permanent, temporary, or part-time employees including apprentices and on-the-job trainees. Enter the appropriate figures on all lines and in all columns. All blank spaces will be considered zero. This form is also required for subcontractors and major suppliers on a project.

Job Categories	Number of Employees (Report employees in only one category)														Total Col A-N
	Race/Ethnicity														
	Hispanic or Latino		Not Hispanic or Latino												
			Male						Female						
	Male	Female	White	Black or African American	Native Hawaiian or Other Pacific Islander	Asian	American Indian or Alaska Native	Two or more races	White	Black or African American	Native Hawaiian or Other Pacific Islander	Asian	American Indian or Alaska Native	Two or more races	
A	B	C	D	E	F	G	H	I	J	K	L	M	N	O	
Executive/Senior-Level Officials and Managers															
First/Mid-Level Officials and Managers															
Professionals															
Technicians															
Sales Workers															
Administrative Support Workers															
Craft Workers															
Operatives															
Laborers and Helpers															
Service Workers															
TOTAL															
PREVIOUS YEAR TOTAL															
TYPE OF BUSINESS	<input type="checkbox"/> Manufacturing		<input type="checkbox"/> Wholesale		<input type="checkbox"/> Construction		<input type="checkbox"/> Regular Dealer		<input type="checkbox"/> Selling Agent		<input type="checkbox"/> Service Establishment			<input type="checkbox"/> Other	

Signature of Certifying Official

Company Name

Printed Name and Title

Address/City/State/Zip Code

Date Submitted

Telephone Number/Fax Number

ATTACHMENT E
AFFIDAVIT OF CIVIL RIGHTS COMPLIANCE

STATE OF _____

COUNTY OF _____

On this ____ day of _____, 20____, before me appeared _____, personally known by me or otherwise proven to be the person whose name is subscribed on this affidavit and who, being duly sworn, stated as follows: I am the _____ (title) of _____ (business entity) and I am duly authorized, directed or empowered to act with full authority on behalf of the business entity in making this affidavit.

I hereby swear or affirm that the business entity complies with the following:

- A. **Nondiscrimination.** In accordance with Title VI of the Civil Rights Act, as amended, 42 U.S.C. § 2000d, section 303 of the Age Discrimination Act of 1975, as amended, 42 U.S.C. § 6102, section 202 of the Americans with Disabilities Act of 1990, 42 U.S. C. § 12132, and Federal transit law at 49 U.S.C. § 5332, the Contractor agrees that it will not discriminate against any employee or applicant for employment because of race, color, creed, national origin, sex, age, or disability. In addition, the Contractor agrees to comply with applicable Federal implementing regulations and other implementing regulations that the Federal Transit Administration (FTA) may issue.

- B. **Equal Employment Opportunity.** The following equal employment opportunity requirements apply to this Contract:
 - 1. **Race, Color, Creed, National Origin or Sex.** In accordance with Title VII of the Civil Rights Act, as amended, 42. U.S.C. §2000e, *et seq.*, and Federal transit laws at 49 U.S.C. §5332, the Contractor agrees to comply with all applicable equal opportunity requirements of the U.S. Department of Labor (U.S. DOL) regulations, "Office of Federal Contract Compliance Programs, Equal Employment Opportunity, Department of Labor" 41 C.F.R. Parts 60 et seq., (which implement Executive Order No. 11246, "Equal Employment Opportunity," as amended by Executive Order No. 11375, "Amending Executive Order 11246 Relating to Equal Employment Opportunity," 42 U.S.C. 2000e note), and with any applicable Federal statutes, executive orders, regulations, and Federal policies that may in the future affect activities undertaken in the course of the Contract. The Contractor agrees to take affirmative action to ensure that applicants are employed, and that employees are treated during employment, without regard to their race, color, creed, sex, sexual orientation, gender identity, national origin, disability or age. Such action shall include, but not be limited to, the following: employment, upgrading, demotion or transfer, recruitment or recruitment advertising, layoff or termination; rates of pay or other forms of compensation; and selection for training, including apprenticeship. In addition, the Contractor agrees to comply with any implementing requirements FTA may issue.

 - 2. **Age.** In accordance with Section 4 of the Age Discrimination in Employment Act of 1967, as amended, 29 U.S.C. § 623 and Federal transit law at 49 U.S.C. §5332, the Contractor agrees to refrain from discrimination against present and prospective employees for reason of age. In addition, the Contractor agrees to comply with any implementing requirements FTA may issue.

 - 3. **Disabilities.** In accordance with section 102 of the Americans with Disabilities Act, as amended, 42 U.S.C. §12112, the Contractor agrees that it will comply with the requirements of U.S. Equal Employment Opportunity Commission, "Regulations to Implement the Equal Employment Provisions of the Americans with Disabilities Act," 29 C.F.R. Part 1630, pertaining to employment of persons with disabilities. In addition, the Contractor agrees to comply with any implementing requirements FTA may issue.

Affiant's Signature

Date

Subscribed and sworn to me before this _____ day of _____, 20____.

Notary Public Signature

Date

My Commission expires: _____

ATTACHMENT F
AFFIDAVIT OF PRIMARY PARTICIPANTS
COMPLIANCE WITH SECTION 285.500 RSMO, ET SEQ.
REGARDING EMPLOYEE ELIGIBILITY VERIFICATION

STATE OF _____

COUNTY OF _____

On this _____ day of _____, 20____, before me appeared _____, personally known by me or otherwise proven to be the person whose name is subscribed on this affidavit and who, being duly sworn, stated as follows: I am the _____ (title) of _____ (business entity) and I am duly authorized, directed or empowered to act with full authority on behalf of the business entity in making this affidavit.

I hereby swear or affirm that the business entity does not knowingly employ any person in connection with the contracted services who does not have the legal right or authorization under federal law to work in the United States as defined in 8 U.S.C. §1324a(h)(3).

I hereby additionally swear or affirm that the business entity is enrolled in an electronic verification of work program operated by the United States Department of Homeland Security (E-Verify) or an equivalent federal work authorization program operated by the United States Department of Homeland Security to verify information of newly hired employees, under the Immigration Reform and Control Act of 1986, and that the business entity will participate in said program with respect to any person hired to perform any work in connection with the contracted services.

I have attached hereto documentation sufficient to establish the business entity's enrollment and participation in the required electronic verification of work program. I shall require that the language of this affidavit be included in the award documents for all sub-contracts exceeding \$5,000.00 at all tiers and that all subcontractors at all tiers shall affirm and provide documentation accordingly.

Affiant's signature

Subscribed and sworn to before me this _____ day of _____, 20____

Notary Public

My Commission expires:_____

NOTE: An example of acceptable documentation is the E-Verify Memorandum of Understanding (MOU) – a valid, completed copy of the first page identifying the business entity and a valid copy of the signature page completed and signed by the business entity, the Social Security Administration and the Department of Homeland Security.

**ATTACHMENT G
CERTIFICATION OF PRIMARY PARTICIPANT
REGARDING DEBARMENT, SUSPENSION, AND OTHER
RESPONSIBILITY MATTERS**

The Primary Participant (applicant for an FTA grant or cooperative agreement, or potential Contractor for a major third party contract), _____ certifies to the best of its knowledge and belief, that it and its principals:

1. Are not presently debarred, suspended, proposed for debarment, declared ineligible, or voluntarily excluded from covered transactions by any Federal department or agency;
2. Have not within a three-year period preceding this bid, been convicted of or had a civil judgment rendered against them for commission of fraud or a criminal offense in connection with obtaining, attempting to obtain, or performing a public (Federal, State or local) transaction or contract under a public transaction; violation of Federal or State antitrust statutes or commission of embezzlement, theft, forgery, bribery, falsification or destruction of records, making false statements, or receiving stolen property;
3. Are not presently indicted for or otherwise criminally or civilly charged by a governmental entity (Federal, State or local) with commission of any of the offenses enumerated in paragraph (2) of this certification; and
4. Have not within a three-year period preceding this application/bid had one or more public transactions (Federal, State or local) terminated for cause or default.

If the primary participant (applicant for FTA grant, or cooperative agreement, or potential third party Contractor) is unable to certify to any of the statements in this certification, the participant shall attach an explanation to this certification.

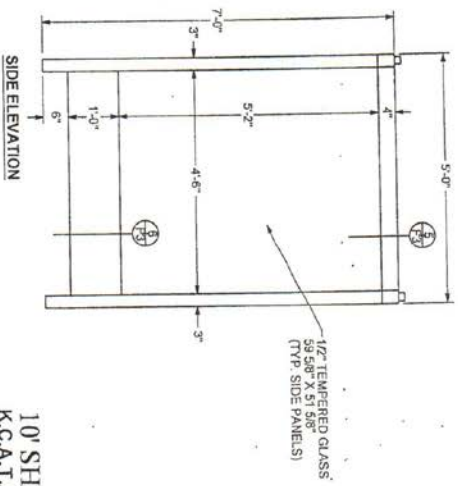
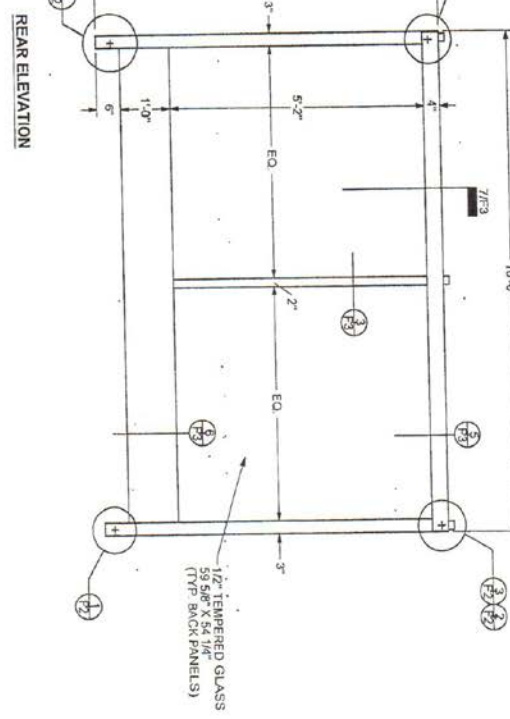
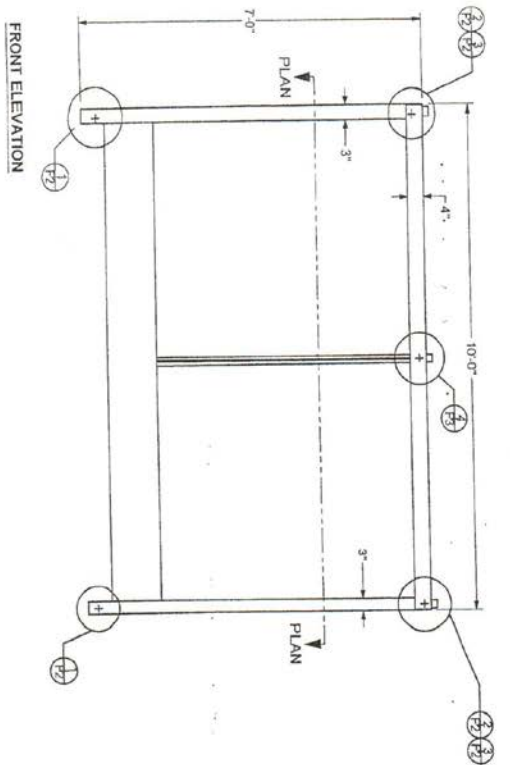
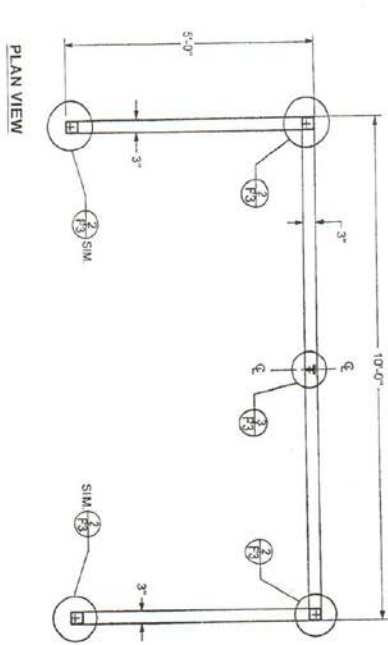
THE PRIMARY PARTICIPANT (APPLICANT FOR AN FTA GRANT OR COOPERATIVE AGREEMENT, OR POTENTIAL CONTRACTOR FOR A MAJOR THIRD PARTY CONTRACT), _____ CERTIFIES OR AFFIRMS THE TRUTHFULNESS AND ACCURACY OF THE CONTENTS OF THE STATEMENTS SUBMITTED ON OR WITH THIS CERTIFICATION AND UNDERSTANDS THAT THE PROVISIONS OF 31 U.S.C., SECTIONS 3801 *ET SEQ.* ARE APPLICABLE THERETO.

Signature and Title of Authorized Official

Date

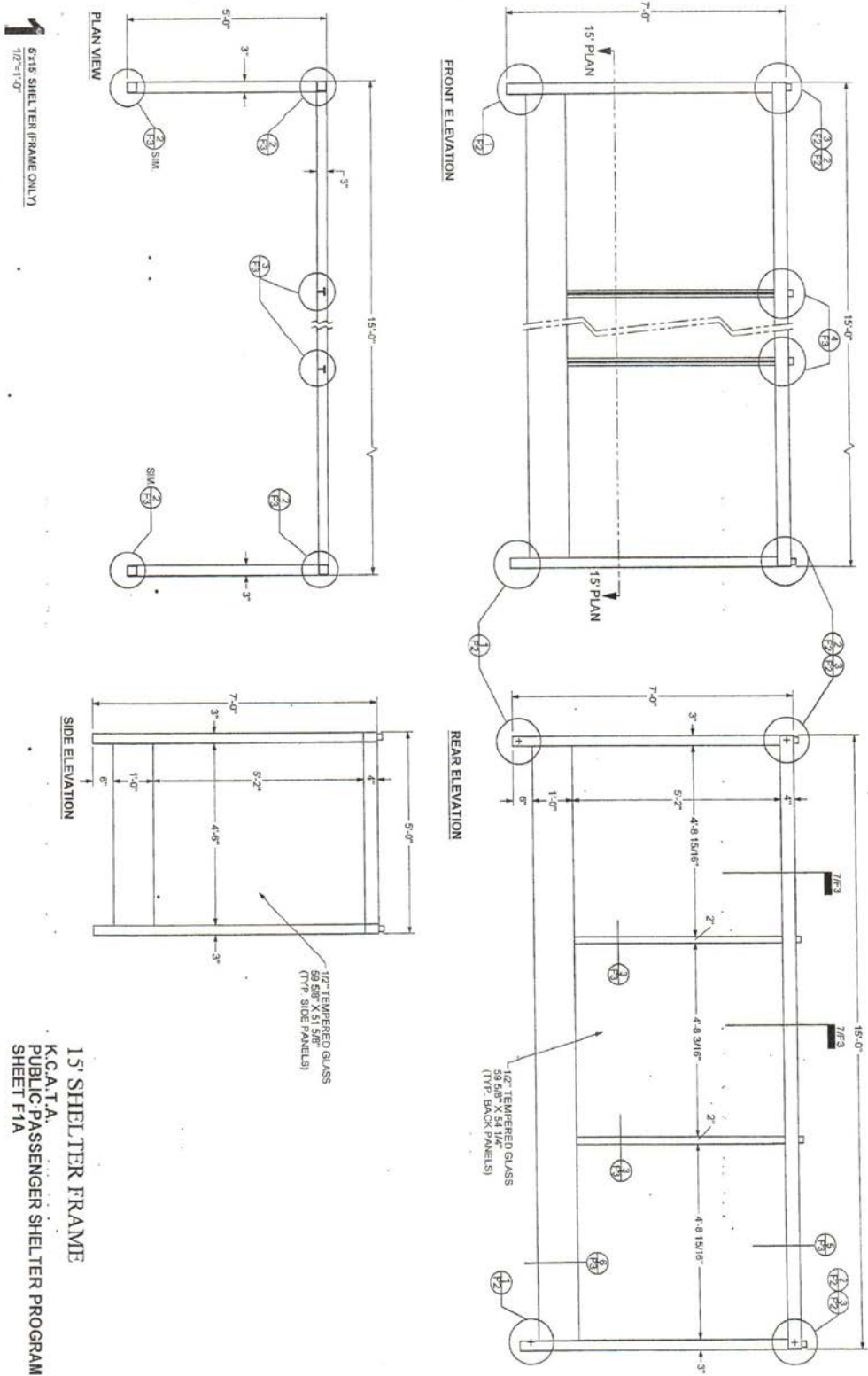
EXHIBIT 1

5'x10' SHELTER (FRAME ONLY)
1/2"=1'-0"



10' SHELTER FRAME
K.G.A.T.A.
PUBLIC PASSENGER SHELTER PROGRAM
SHEET F1

EXHIBIT 1 – CONT'D.



**ATTACHMENT H
TERMS AND CONDITIONS**

ARTICLE 1: ACCEPTANCE OF MATERIALS – NO RELEASE

Acceptance of any portion of the products, equipment or materials prior to final acceptance shall not release the Contractor from liability for faulty workmanship or materials, or for failure to fully comply with all of the terms of this Contract. KCATA reserves the right and shall be at liberty to inspect all products, equipment or materials and workmanship at any time during the Contract term, and shall have the right to reject all materials and workmanship which do not conform with the conditions, Contract requirements or specifications; provided, however, that KCATA is under no duty to make such inspection, and Contractor shall (notwithstanding any such inspection) have a continuing obligation to furnish all products, services, equipment or materials and workmanship in accordance with the instructions, Contract requirements and specifications. Until delivery and acceptance, and after any rejections, risk of loss will be on the Contractor, unless loss results from negligence of KCATA.

ARTICLE 2: AGREEMENT IN ENTIRETY

This Contract represents the entire and integrated agreement between the parties and supersedes all prior negotiations, representations or agreements, either written or oral. This Contract may be amended only by written instrument signed by all parties.

ARTICLE 3: ASSIGNMENT

The Contractor shall not assign any interest in this Contract and shall not transfer any interest in the same (whether by assignment or novation), without the prior written consent of KCATA. In the event of KCATA's consent to assignment of this Contract, all of the terms, provisions and conditions of the Contract shall

be binding upon and inure to the benefit of the parties and their respective successors, assigns and legal representative.

ARTICLE 4: BANKRUPTCY

In the event the Contractor enters into proceedings relating to bankruptcy, whether voluntary or involuntary, the Contractor agrees to furnish, by certified mail, written notification of the bankruptcy to the KCATA official identified in the "Notification and Communication" section. This notification shall be furnished within five (5) days of the initiation of the proceedings relating to bankruptcy filing. This notification shall include the date on which the bankruptcy petition was filed, the identity of the court in which the bankruptcy petition was filed, and a listing of KCATA Contract numbers against which final payment has not been made. This obligation remains in effect until final payment under this Contract.

ARTICLE 5: BREACH OF CONTRACT; REMEDIES

- A. If the Contractor shall fail, refuse or neglect to comply with any terms of this Contract, such failure shall be deemed a total breach of contract and the Contractor shall be subject to legal recourse by KCATA, plus costs resulting from failure to comply including the KCATA's reasonable attorney fees, whether or not suit be commenced.
- B. The duties and obligations imposed by this Contract and the rights and remedies available hereunder shall be in addition to and not a limitation of any duties, obligations, rights and remedies otherwise imposed or available by law or equity. No action or failure to act by KCATA shall constitute a waiver of any right or duty afforded under this Contract, nor shall any such action or failure to act constitute an approval of or acquiescence in any breach

hereunder, except as may be specifically agreed in writing.

ARTICLE 6: CHANGES

KCATA may at any time, by a written order, and without notice to the Contractor, make changes within the general scope of this Contract. No such changes shall be made by the Contractor without prior written approval by KCATA. If any such change causes an increase or decrease in the Contract sum, or the time required for performance of this Contract, whether changed or not changed by such order, an equitable adjustment shall be made by written modification. Any Contractor's claim for adjustment under this clause must be asserted within 30 days from the date of receipt by the Contractor of the notification of change. Nothing in this clause shall excuse the Contractor from proceeding with this Contract as changed.

ARTICLE 7: CHANGES TO FEDERAL REQUIREMENTS

Contractor shall at all times be aware and comply with all applicable Federal Transit Administration regulations, policies, procedures and directives, including without limitation, those listed directly or by reference in the Agreement between the Authority and FTA (FTA MA (18) dated October 1, 2011), as they may be amended or promulgated from time to time during the term of this Contract. Contractors' failure to so comply shall constitute a material breach of this Contract. Contractor agrees to include this clause in all subcontracts at any tier. It is further agreed that the clause shall not be modified, except to identify the subcontractors who will be subject to its provisions.

ARTICLE 8: CIVIL RIGHTS

A. Nondiscrimination. In accordance with Title VI of the Civil Rights Act, as amended, 42 U.S.C. § 2000d, section 303 of the Age Discrimination Act of 1975, as amended, 42 U.S.C. § 6102, section 202 of the Americans with Disabilities Act of

1990, 42 U.S. C. § 12132, and Federal transit law at 49 U.S.C. § 5332, the Contractor agrees that it will not discriminate against any employee or applicant for employment because of race, color, creed, age, sex, sexual orientation, gender identity, national origin or disability. In addition, the Contractor agrees to comply with applicable Federal implementing regulations and other implementing regulations that the Federal Transit Administration (FTA) may issue.

B. Equal Employment Opportunity. The following equal employment opportunity requirements apply to this Contract:

1. Race, Color, Creed, National Origin or Sex. In accordance with Title VII of the Civil Rights Act, as amended, 42 U.S.C. §2000e, *et seq.*, and Federal transit laws at 49 U.S.C. §5332, the Contractor agrees to comply with all applicable equal opportunity requirements of the U.S. Department of Labor (U.S. DOL) regulations, "Office of Federal Contract Compliance Programs, Equal Employment Opportunity, Department of Labor" 41 C.F.R. Parts 60 et seq., (which implement Executive Order No. 11246, "Equal Employment Opportunity," as amended by Executive Order No. 11375, "Amending Executive Order 11246 Relating to Equal Employment Opportunity," 42 U.S.C. 2000e note), and with any applicable Federal statutes, executive orders, regulations, and Federal policies that may in the future affect construction activities undertaken in the course of the Contract. The Contractor agrees to take affirmative action to ensure that applicants are employed, and that employees are treated during employment without regard to their race, color, creed, age, sex, sexual orientation, gender identity or national origin. Such action shall include, but not be limited to, the following: employment, upgrading,

demotion or transfer, recruitment or recruitment advertising, layoff or termination; rates of pay or other forms of compensation; and selection for training, including apprenticeship. In addition, the Contractor agrees to comply with any implementing requirements FTA may issue.

2. Age. In accordance with Section 4 of the Age Discrimination in Employment Act of 1967, as amended, 29 U.S.C. § 623 and Federal transit law at 49 U.S.C. §5332, the Contractor agrees to refrain from discrimination against present and prospective employees for reason of age. In addition, the Contractor agrees to comply with any implementing requirements FTA may issue.

3. Disabilities. In accordance with section 102 of the Americans with Disabilities Act, as amended, 42 U.S.C. §12112, the Contractor agrees that it will comply with the requirements of U.S. Equal Employment Opportunity Commission, "Regulations to Implement the Equal Employment Provisions of the Americans with Disabilities Act," 29 C.F.R. Part 1630, pertaining to employment of persons with disabilities. In addition, the Contractor agrees to comply with any implementing requirements FTA may issue.

C. ADA Access Requirements. In accordance with section 102 of the Americans with Disabilities Act, as amended, 42 U.S.C. § 12112 and section 504 of the Rehabilitation Act of 1973, as amended, 29 U.S.C. § 794, the Contractor agrees that it will comply with the requirements of U.S. Department of Transportation regulations, "Transportation Services for Individuals with Disabilities (ADA)," 49 CFR Part 37; and U.S. Department of Transportation regulations, "Americans with Disabilities Accessibility

Specifications for Transportation Vehicles," 36 CFR Part 1192 and 49 CFR Part 38, pertaining to facilities and equipment to be used in public transportation. In addition, the Contractor agrees to comply with the requirements of 49 U.S.C. § 5301 (d) which expresses the Federal policy that the elderly and persons with disabilities have the same right as other persons to use mass transportation services and facilities, and that special efforts shall be made in planning and designing those services and facilities to implement transportation accessibility rights for elderly persons and persons with disabilities. Contractor also agrees to comply with any implementing requirements FTA may issue.

B. Contractor understands that it is required to include this Article in all subcontracts. Failure by the Contractor to carry out these requirements or to include these requirements in any subcontract is a material breach of this Contract, which may result in the termination of this Contract or such other remedy as the KCATA deems appropriate, including but not limited to withholding monthly progress payments and/or disqualifying the Contractor from future bidding as non-responsible.

ARTICLE 9: CONFLICTS OF INTEREST (ORGANIZATIONAL)

The Contractor certifies that it has no other activities or relationships that would make the Contractor unable, or potentially unable, to render impartial assistance or advice to KCATA, or that would impair the Contractor's objectivity in performing work under this Contract, or that would result in an unfair competitive advantage to Contractor or to another third party performing the Project work.

ARTICLE 10: CONTRACTOR'S PERSONNEL

All of the services required hereunder shall be performed by the Contractor or under its supervision and all personnel engaged in the

services shall be fully qualified and authorized under state and local law to perform such services. Any change in the key personnel, as described in the contractor's proposal, shall be subject to the written approval of KCATA; such approval shall not be unreasonably withheld. The parties agree that at all times during the entire term of this Contract that the persons listed in Contractor's proposal shall serve as the primary staff person(s) of Contractor to undertake, render and oversee all of the services of this Contract subject to KCATA's right to remove personnel. KCATA reserves the right to require the Contractor to remove any personnel and or subcontractors for any cause provided such request for removal shall be documented in writing to Consultant.

ARTICLE 11: DEBARMENT AND SUSPENSION CERTIFICATION

- A. The Contractor, its principals and any affiliates, shall certify that it is not included in the "U.S. General Services Administration's List of Parties Excluded from Federal Procurement or Non-procurement Programs," as defined at 49 CFR Part 29, Subpart C.
- B. The Contractor agrees to refrain from awarding any subcontract of any amount (at any tier) to a debarred or suspended subcontractor, and to obtain a similar certification from any subcontractor (at any tier) seeking a contract exceeding \$25,000.
- C. The Contractor agrees to provide KCATA a copy of each conditioned debarment or suspension certification provided by a prospective subcontractor at any tier, and to refrain from awarding a subcontract with any party that has submitted a conditioned debarment or suspension certification until FTA approval is obtained.

ARTICLE 12: DELIVERY

Materials and/or equipment shall be delivered to Kansas City Area Transportation Authority, Central Receiving Facility, Building #1, 1350 East 17th Street, Kansas City, Missouri, 64108. KCATA will assume custody of property at other locations, if so directed in writing by KCATA.

Packing slips shall be furnished with the delivery of each shipment. KCATA reserves the right to inspect all deliveries or services before acceptance. All external components shall be wrapped for protection against damage during shipping and handling. Each specified unit shall be delivered to KCATA in first class condition and the Contractor shall assume all responsibility and liability for said delivery. KCATA reserves the right to extend delivery or installation, postpone delivery or installation, or reschedule delivery or installation in case the delivery or installation of service equipment under this Agreement shall be necessarily delayed because of strike, injunction, civil disturbance, government controls, or by reason of any cause of circumstance beyond the control of the Contractor, as detailed in writing by the Contractor. The time of completion of a delivery or installation shall be extended by a number of days to be determined in each instance by KCATA.

ARTICLE 13: DISADVANTAGED BUSINESS ENTERPRISE (DBE)

- A. This Contract is subject to the requirements of Title 49, Code of Federal Regulations, Part 26, Participation by Disadvantaged Business Enterprises in Department of Transportation Financial Assistance Programs. The national goal for participation of Disadvantaged Business Enterprises (DBE's) is 10 percent. *KCATA's overall goal for DBE participation is 8.5 percent. No separate contract goal has been established for this procurement.*
- B. The Contractor shall not discriminate on the basis of race, color national origin, or sex in the performance of this Contract. The Contractor shall carry out applicable requirements of 49 CFR. Part 26 in the award and administration of this DOT-assisted contract. Failure by the Contractor to carry out these requirements is a material breach of this Contract, which may result in the termination of this Contract or such other remedy as KCATA deems appropriate. Each subcontract the Contractor signs with a subcontractor must include the assurance in this paragraph (see

49 C.F.R. 26.13(b)).

- C. The Contractor may not substitute, remove or terminate a DBE subcontractor without KCATA's prior written consent. Written consent of termination may only be given if the Contractor has demonstrated good cause. Before submitting its request to terminate or substitute a DBE subcontractor, the Prime Contractor must give notice in writing to the DBE subcontractor, with a copy to KCATA, of its intent to request to terminate and/or substitute, and the reason for the request. The Contractor must give the DBE five days to respond to the Contractor's notice and advise KCATA and the Contractor of the reasons, if any, why it objects to the proposed termination of its subcontract and why KCATA should not approve the Contractor's action. If required in a particular case as a matter of public necessity (e.g., safety), the response period may be shortened.

D. **Good Cause.** Good cause includes the following circumstances:

1. The listed DBE subcontractor fails or refuses to execute a written contract; or
2. The listed DBE subcontractor fails or refuses to perform the work of its normal industry standards. Provided, however, that the good cause does not exist if the failure or refusal of the DBE subcontractor to perform its work on the subcontract results from the bad faith or discriminatory action of the Prime Contractor; or
3. The listed DBE subcontractor fails or refuses to meet the Prime Contractor's reasonable, nondiscriminatory bond requirements; or
4. The listed DBE subcontractor becomes bankrupt, insolvent, or exhibits credit unworthiness; or
5. The listed DBE subcontractor is ineligible to work on public works projects because of suspension and

debarment proceedings pursuant to 2 CFR Parts 180, 215 and 1200 or applicable state law; or

6. The DBE subcontractor is not a responsible contractor; or
7. The listed DBE subcontractor voluntarily withdraws from the project and provides the Prime Contractor written notice of its withdrawal;
8. The listed DBE is ineligible to receive DBE credit for the type of work required;
9. A DBE owner dies or becomes disabled with the result that the listed DBE contractor is unable to complete its work on the contract;
10. Other documented good cause that compels KCATA to terminate the DBE subcontractor. Provided the good cause does not exist if the Prime contractor seeks to terminate a DBE it relied upon to obtain the contract so that the Prime Contractor can self-perform the work for which the DBE contractor was engaged or so that the Prime Contractor can substitute another DBE or non-DBE contractor.

E. Before submitting its request to terminate or substitute a DBE subcontractor, the Prime Contractor must give notice in writing to the DBE subcontractor, with a copy to KCATA, of its intent to request to terminate and/or substitute, and the reason for the request. The Prime Contractor must give the DBE five days to respond to the Prime Contractor's notice and advise the KCATA and the Contractor of the reasons, if any, why it objects to the proposed termination of its subcontract and why KCATA should not approve the Prime Contractor's action. If required in a particular case as a matter of public necessity (e.g., safety), the response period may be shortened.

ARTICLE 14: DISCLAIMER OF FEDERAL GOVERNMENT OBLIGATION OR LIABILITY

The Contractor, and any subcontractors acknowledge and agree that, notwithstanding any concurrence by the Federal Government in or approval of the solicitation or award of this contract, absent the express written consent by the Federal Government, the Federal Government is not a party to this contract and shall not be subject to any obligations or liabilities to the Contractor, or any other party (whether or not a party to this Contract) pertaining to any matter resulting from this Contract. It is further agreed that the clause shall be included in each subcontract and shall not be modified, except to identify the subcontractor who will be subject to its provision.

ARTICLE 15: DISPUTE RESOLUTION

A. Except as otherwise provided in this Contract, any dispute concerning a question of fact arising under this Contract which is not disposed of by agreement shall be decided by KCATA's Senior Manager of Procurement, who shall reduce the decision to writing and mail or otherwise furnish a copy to the Contractor. The decision of the Senior Manager of Procurement shall be final and conclusive unless within ten (10) days from the date of receipt of such copy the Contractor mails or otherwise furnishes a written appeal addressed to the Chief Executive Officer, with a copy to the Chief Operations Officer and the Senior Manager of Procurement. The determination of such appeal by the Chief Operations Officer shall be final and conclusive unless determined by a court of competent jurisdiction to have been fraudulent or capricious, arbitrary, or not supported by substantial evidence. In connection with any appeal proceeding under this clause the Contractor shall be afforded an opportunity to be heard and to offer evidence in support of its appeal. Pending final decision of a dispute hereunder, and unless otherwise directed in writing by KCATA, the Contractor shall proceed diligently with performance in accordance with the Senior Manager of Procurement's decision.

B. The duties and obligations imposed by the Contract and the rights and remedies available hereunder shall be in addition to and not a limitation of any duties, obligations, rights and remedies otherwise imposed or available by law. No action or failure to act by the KCATA or Contractor shall constitute a waiver of any right or duty afforded any of them under the Contract, nor shall any such action or failure to act constitute an approval of or acquiescence in any breach thereunder, except as may be specifically agreed in writing.

ARTICLE 16: EMPLOYEE ELIGIBILITY VERIFICATION

A. To comply with Section 285.500 RSMo, *et seq.*, the Contractor is required by sworn affidavit and provision of documentation, to affirm its enrollment and participation in a federal work authorization program with respect to the employees working in connection with the contracted services. The Contractor shall also affirm that it does not knowingly employ any person in connection with the contracted services who does not have the legal right or authorization under federal law to work in the United States as defined in 8 U.S.C. §1324a(h)(3). The Contractor is required to obtain the same affirmation from all subcontractors at all tiers with contracts exceeding \$5,000.

B. A federal work authorization program is any of the electronic verification of work authorization programs operated by the United States Department of Homeland Security (E-Verify) or an equivalent federal work authorization program operated by the United States Department of Homeland Security to verify information of newly hired employees, under the Immigration Reform and control Act of 1986 (IRCA), P.L.99-603.

ARTICLE 17: FRAUD AND FALSE OR FRAUDULENT STATEMENTS OR RELATED ACTS

- A. The Contractor acknowledges that the provisions of the Program Fraud Civil Remedies Act of 1986, as amended, 31 U.S.C. § 3801 *et seq.* and U.S DOT regulations, “Program Fraud Civil Remedies,” 49 CFR Part 31, apply to its actions pertaining to the Project. Upon execution of the Contract, the Contractor certifies and affirms the truthfulness and accuracy of any statement it has made, it makes, or may make pertaining to the project covered under this Contract. In addition to other penalties that may be applicable, the Contractor further acknowledges that if it makes a false, fictitious, or fraudulent claim, statement, submission, or certification, the Federal Government reserves the right to impose the penalties of the Program Fraud Civil Remedies Act of 1986 on the Contractor to the extent the Federal Government deems appropriate.
- B. The Contractor also acknowledges that if it makes, or causes to be made, a false, fictitious, or fraudulent claim, statement, submission, or certification to the Federal Government in connection with this Contract, the Government reserves the right to impose on the Contractor the penalties of 18 U.S.C. § 1001 and 49 U.S.C. § 5307(n)(1), to the extent the Federal Government deems appropriate.
- C. The Contractor agrees to include these clauses in each subcontract, and it is further agreed that the clauses shall not be modified, except to identify the subcontractor who will be subject to the provisions.

**ARTICLE 18: GOVERNING LAW;
CHOICE OF JUDICIAL FORUM**

This Contract shall be deemed to have been made in, and be construed in accordance with, the laws of the State of Missouri. Any action of law, suit in equity, or other judicial proceeding to enforce or construe this Contract, respecting its alleged breach, shall be instituted only in the Circuit Court of Jackson County, Missouri.

ARTICLE 19: HEADINGS

The headings included in this Contract are inserted only as a matter of convenience and for reference, and in no way define, limit or describe the scope of intent of any provision, and shall not be construed to affect, in any manner, the terms and provisions hereof of the interpretation or construction thereof.

ARTICLE 20: INCORPORATION OF FEDERAL TRANSIT ADMINISTRATION TERMS

The provisions in this Contract include certain standard terms and conditions required by the U.S. Department of Transportation (DOT), whether or not expressly set forth. All contractual provisions required by DOT, as set forth in FTA Circular 4220.1F or any revision thereto, are hereby incorporated by reference. Anything to the contrary herein notwithstanding, all FTA mandated terms shall be deemed to control in the event of a conflict with other provisions contained in the Contract. Contractor shall not perform any act, fail to perform any act, or refuse to comply with any KCATA requests that would cause KCATA to be in violation of the FTA terms and conditions. The Contractor agrees to include this clause in all subcontracts at any tier. It is further agreed that the clause shall not be modified, except to identify the subcontractors who will be subject to the provision.

ARTICLE 21: INDEPENDENT CONTRACTOR

- A. The parties agree that the Contractor is an independent contractor under this Contract. Under no circumstance shall the Contractor be considered an agent, employee or representative of KCATA and KCATA shall not be liable for any claims, losses, damages, or liabilities of any kind resulting from any action taken or failed to be taken by the Contractor.
- B. The Contractor shall furnish adequate supervision, labor, materials, supplies, security, financial resources and equipment necessary to perform all the services contemplated under this Contract in an orderly, timely, and efficient manner.

ARTICLE 22: INSURANCE

- A. The insurance required in this Contract shall be written for not less than any limits of liability required by law or by those set forth below, whichever is greater, and shall include blanket contractual liability insurance as applicable to the Contractor's obligations under the Liability and Indemnification section below. All policies, except Professional Liability policies, shall name KCATA, its commissioners, officers, and employees as additional insureds. Explosion, collapse and underground coverage shall not be excluded. The insurance should be written with companies acceptable to KCATA and the companies should have a minimum A.M. Best's insurance rating of A-(VIII). An exception to the minimum A.M. Best rating is granted for Workers Compensation exposures insured through the Builders' Association of Self Insurance Fund (BASIF) or Missouri Employers' Mutual Insurance Company.
- B. The Contractor shall be required to furnish to KCATA copies of required insurance policies and relevant additional insured endorsements of insurance. If copies of the required insurance policies or endorsements are not available, the Contractor shall be required to furnish certificates of insurance prior to execution of the Contract, and thereafter furnish copies of the policies and additional insured endorsements, from time to time, whenever reasonably requested by KCATA. The certificates (with the exception of Professional Liability and Workers Compensation coverage) shall specifically state that:
1. Contractual liability coverage is applicable; and
 2. The Kansas City Area Transportation Authority, its commissioners, officers and employees are named as additional insureds (Named Insureds) on the policies covered by the certificate; using this specific wording:

Kansas City Area Transportation Authority, its commissioners, officers, and employees are named as additional insureds as respects general liability and where required by written contract. Any coverage afforded the certificate holder as an additional insured shall apply as primary and not excess or contributing to any insurance or self-insurance in the name of the certificate holder, and shall include a waiver of subrogation.

- C. Further, from time to time and whenever reasonably requested by KCATA, the Contractor shall represent and warrant to KCATA (1) the extent to which the insurance limits identified below have been, or may be, eroded due to paid or pending claims under the policies; and (2) the identity of other entities or individuals covered as an additional insured on the policies. Further, the Contractor shall confirm that the insurers' obligation to pay defense costs under the policies is in addition to, and not part of the liability limits stated in the policies.
- D. All such insurance, with the exception of Professional Liability coverage, shall contain endorsements that the policies may not be canceled or amended or allowed to lapse by the insurers with respect to KCATA its commissioners, officers and employees by the insurance company without thirty (30) days prior notice by certified mail to KCATA in addition to the Named Insured (s) and that denial of coverage or voiding of the policy for failure of Contractor to comply with its terms shall not affect the interest of KCATA, its commissioners, officers and employees thereunder.
- E. The requirements for insurance coverage are separate and independent of any other provision hereunder.

1. Worker's Compensation:

- a) State: Missouri and/or

- Kansas – Statutory
- b) Employer’s Liability: Bodily Injury by Accident -- \$500,000 Each Accident
 - Bodily Injury by Disease -- \$500,000 Each Employee
 - Bodily Injury by Disease -- \$500,000 Policy Limit

The Contractor and any subcontractor shall maintain adequate workers’ compensation insurance as required by law to cover all employees during performance of services, or during delivery, installation, assembly or related services in conjunction with this Agreement.

2. Commercial General Liability:

Bodily Injury and Property Damage to include Products and Completed Operations:
 \$1,000,000 Each Occurrence
 \$2,000,000 General Aggregate (per project)
 \$1,000,000 Personal and Advertising Injury
 \$50,000 Fire Damage
 \$5,000 Medical Expenses
 2 Years (Completed Operations)

Contractor shall procure and maintain at all times during the term of the KCATA purchase order or the Contract commercial general liability insurance for liability arising out of the operations of the Contractor and any subcontractors. The policy(ies) shall include coverage for the Contractor’s and subcontractors’ products and completed operations for at least two (2) years following project completion, or as otherwise noted. The policy(ies) shall name as an additional insured, in connection with Contractor's activities, the KCATA, its commissioners, officers, and employees. Using ISO Form CG 20 10 11 85 (or OCG20 26 0704 in the case of a Blanket Endorsement), or such other additional insured forms acceptable to KCATA. The Insurer(s) shall agree that its policy(ies) is primary insurance and that it shall be liable for the full amount of any loss up to and including the total limit of liability without right of contribution from any other insurance or self-insurance KCATA may have.

3. Auto Liability:

Bodily Injury and Property Damage:
 \$1,000,000 Combined Single Limit

The policy(ies) shall include automobile liability coverage for all vehicles, licensed or unlicensed, on or off the KCATA premises, whether the vehicles are owned, hired or non-owned, covering use by or on behalf of the Contractor and any subcontractors during the performance of work under this Contract.

4. Professional Liability Insurance

Professional Liability Limit:
 \$1,000,000 Each Occurrence
 \$1,000,000 Annual Aggregate

Where applicable, the Contractor shall obtain professional liability insurance covering any damages caused by an error, omission or any negligent acts of the Contractor or its employees with regard to performance under this Agreement.

5. Pollution Liability

Pollution Liability Limit:
 \$1,000,000 Each Occurrence
 \$1,000,000 Annual Aggregate

Where applicable, the Contractor shall obtain and keep in effect during the term of the Contract, Pollution Liability Insurance covering their liability for bodily injury, property damage and environment damage, including clean up and remediation costs arising out of the work or services to be performed under this contract. Coverage shall apply to the above for premises and operations, products and completed operations and automobile liability. Automobile liability coverage may be satisfied by utilizing ISO Endorsement CA 9948 or equivalent.

6. Umbrella or Excess Liability

Umbrella or Excess Liability Limit:
 \$1,000,000 Each Occurrence
 \$1,000,000 Aggregate (per project)

Where applicable, the Contractor shall obtain and keep in effect during the term of the contract, Umbrella or Excess Liability Insurance covering their liability over the limit for primary general

liability, automobile liability, and employer's liability.

ARTICLE 23: LIABILITY AND INDEMNIFICATION

A. **Contractor's Liability.** Contractor shall be liable for all damages to persons (including employees of Contractor) or property of any type that may occur as a result of any act or omission by Contractor, any subcontractors, or sub-subcontractor, their respective agents or anyone directly employed by any of them or anyone for whose acts any of them may be liable or arising out of any product provided or services rendered under this Agreement.

B. **Subrogation.** Contractor, its agents and any subcontractor hereby waive and relinquish any right of subrogation or claim against KCATA, its commissioners, senior leaders and employees arising out of the use of KCATA's premises (including any equipment) by any party in performance of this Agreement.

C. **Indemnification.**

1. To the fullest extent permitted by law, Contractor agrees to and shall indemnify, defend and hold harmless KCATA, its Commissioners, officers and employees from and against any and all claims, losses, damages, causes of action, suits, liens and liability of every kind, (including all expenses of litigation, expert witness fees, court costs and attorney's fees whether or not suit be commenced) by or to any person or entity (collectively the "Liabilities") arising out of, caused by, or resulting from the acts or omissions of Contractor, subcontractors, or sub-subcontractors, their respective agents or anyone directly or indirectly employed by any of them in performing work under this Contract, and provided such claim is attributable to bodily injury, sickness, disease or death of any person, or injury to or destruction of property, including consequential damages, regardless of

whether or not such claim, damage, loss or expense is caused in part by a party indemnified hereunder, so long as such Liabilities are not caused by the sole negligence or willful misconduct of a party indemnified hereunder. Such obligation shall not be construed to negate, abridge or otherwise reduce other rights or obligations of indemnity which would otherwise exist as to a party or person described in this paragraph.

2. In claims against any person or entity indemnified under this section, by an employee or Contractor, subcontractor or sub-subcontractor or anyone directly or indirectly employed by any of them, the indemnification obligation shall not be limited by a limitation on the amount or type of damages, compensation or benefits payable by or for the Contractor, subcontractor, or sub-subcontractor under worker's compensation acts, disability benefit acts or other employee benefit acts. If any action at law or suit in equity is instituted by any third party against Contractor arising out of or resulting from the acts of Contractor in performing work under this Contract, Contractor shall promptly notify KCATA of such suit.

3. If any action at law or suit in equity is instituted by any third party against KCATA or its commissioners, officers or employees arising out of or resulting from the acts of Contractor, a subcontractor or sub-subcontractor, their respective agents or anyone directly or indirectly employed by any of them in providing products, equipment or materials, or in performing work or services under this Contract, and if Contractor has failed to provide insurance coverage to KCATA against such action as required herein or otherwise refuses to defend such action, KCATA shall have the right to conduct and control, through counsel of its choosing, the

defense of any third party claim, action or suit, and may compromise or settle the same, provided that KCATA shall give the Contractor advance notice of any proposed compromise or settlement.

4. KCATA shall permit Contractor to participate in the defense of any such action or suit through counsel chosen by the Contractor, provided that all fees and expenses of such counsel shall be borne by Contractor. If KCATA permits Contractor to undertake, conduct and control the conduct and settlement of such action or suit, Contractor shall not consent to any settlement that does not include as an unconditional term thereof the giving of a complete release from liability with respect to such action or suit to KCATA. Contractor shall promptly reimburse KCATA for the full amount of any damages, including fees and expenses of counsel for KCATA, incurred in connection with any such action.

ARTICLE 24: LICENSING, LAWS AND REGULATIONS

- A. The Contractor shall, without additional expense to KCATA, be responsible for obtaining any necessary licenses and permits, and for complying with all federal, state, and municipal laws, codes, and regulations applicable to the providing of products, equipment or materials, or the performance of the Services, under this Contract.
- B. The Contractor shall comply with all applicable and current rules, regulations and ordinances of any applicable federal, state, county or municipal governmental body or authority, including but not limited to those as set forth by the Environmental Protection Agency, the Missouri Department of Natural Resources, the Kansas Department of Health and Environmental, the FTA, the Department of Transportation, and the City of Kansas City, Missouri.

ARTICLE 25: NOTIFICATION AND COMMUNICATION

Communications regarding technical issues and activities of the project shall be exchanged with KCATA's Buyer, Rebecca Clyma at (816) 346.0807 or via e-mail at rclyma@KCATA.org.

Issues regarding the contract document, changes, amendments, etc. are the responsibility of KCATA's Procurement Department. All notices and communications on all matters regarding this Contract may be given by delivery or mailing the same postage prepaid, addressed to the following:

If to KCATA: Rebecca Clyma,
Kansas City Area
Transportation Authority
1350 East 17th Street
Kansas City, MO 64108

The Contractor shall notify KCATA immediately when a change in ownership has occurred, or is certain to occur.

The addresses to which notices may be made may be changed from time to time by notice mailed as described above. Any notice given by mail shall be deemed given on the day after that on which it is deposited in the United States Mail as provided above.

ARTICLE 26: PRIVACY ACT REQUIREMENTS

- A. The Contractor agrees to comply with, and assures the compliance of its employees and subcontractors with the information restrictions and other applicable requirements of the Privacy Act of 1974, 5 U.S.C. § 552. Among other things, the Contractor agrees to obtain the express consent of the KCATA and/or the Federal Government before the Contractor or its employees operate a system of records on behalf of the KCATA or Federal Government.
- B. The Contractor understands that the requirements of the Privacy Act, including the civil and criminal penalties for violation of that Act, apply to all individuals

involved, and that failure to comply with the terms of the Privacy Act may result in termination of the underlying Agreement.

- C. The Contractor agrees that strict privacy will be maintained in the collection, storage, use, transfer, access to and/or security of personnel information. Contractor agrees to protect such information, and to limit the use of the information to that required by the contract.
- D. Contractor shall be liable to each employee for loss of any private or personal information lost or left unsecure by Contractor. Contractor shall not have any personal employee information for any reason outside of this contract.

ARTICLE 27: PROHIBITED INTERESTS

- A. No board member, officer, employee or agent of KCATA or of a local public body who has participated or will participate in the selection, award, or administration of this Contract, nor any member of his or her immediate family, business partner or any organization which employs, or intends to employ any of the above during such period, shall have any interest, direct or indirect, in this Contract or the proceeds thereof, to any share or part of this Contract, or to any benefit arising there from. This shall not be construed to prevent any such person from owning stock in a publicly owned corporation.
- B. No member of, or delegates to, the Congress of the United States shall be admitted to any share or part of the Contract, or to any benefit arising there from. This shall not be construed to prevent any such person from owning stock in a publicly-owned corporation.

ARTICLE 28: PROHIBITED WEAPONS AND MATERIALS

- A. Missouri Revised Statutes, Section 571.107 (R.S.Mo. §571.107) allows government units and businesses to prohibit persons holding a concealed carry endorsement from carrying concealed firearms on its

premises. Accordingly, KCATA has adopted the following rules prohibiting weapons, whether concealed or not, and whether or not the individual carrying the weapon has an endorsement or permit to carry.

- B. No weapon, including firearms concealed or not, or other instrument intended for use as a weapon, or any object capable of inflicting serious bodily injury upon another person or property may be carried in or on any facility or property of KCATA, including vehicles of contractors parked on KCATA property or leased facilities, or vehicles used in transporting KCATA customers, even if a person has a permit to carry a concealed weapon, unless authorized in writing to do so by KCATA. For the purposes hereof, a weapon shall include, but not be limited to, a firearm, knife, sword, mace, or any instrument of any kind known as blackjack, billy club, club, sandbag and metal knuckles.
- C. No explosives, flammable liquids, acids, fireworks, other highly combustible materials, radioactive materials or biochemical materials may be carried on or in any KCATA property, facility or vehicle, including vehicles of contractors parked on KCATA property or leased facilities, or vehicles used in transporting any KCATA customer, except as authorized in writing by KCATA.
- D. Any contractor, subcontractor, employee or agent thereof, who has a firearm or other weapon, including those used for recreational purposes, in his/her possession, including on his/her person, in a vehicle on an KCATA facility, in a vehicle carrying KCATA customers, or accessible such as in first aid kits, toolboxes, purses, lunch or carrying bags, etc., at any time while performing KCATA contracted services or on KCATA property, including parking lots, concealed or not, shall be immediately prohibited from performing any further KCATA work, even if the person has a permit to carry a concealed weapon.
- E. Any KCATA contractor, subcontractor,

employee or agent thereof, while performing KCATA contracted services or on any KCATA property or facilities, who has in his/her possession, carries, transports, displays, uses, flourishes, or threatens another person with a weapon, radioactive material, biochemical material or other dangerous weapon, object or material, which has the capability of inflicting bodily injury, shall be immediately prohibited from performing any further KCATA work and reported to local law enforcement authorities.

ARTICLE 29: RECORD RETENTION AND ACCESS

- A. The Contractor agrees that, during the course of this agreement and any extensions thereof, and for three years thereafter, it will maintain intact and readily accessible all data, documents, reports, records, contracts, and supporting materials relating to this Contract. In the event of litigation or settlement of claims arising from the performance of this Contract, the Contractor agrees to maintain same until such litigation, appeals, claims or exceptions related thereto have been disposed of.
- B. The Contractor shall permit KCATA, the U.S. Secretary of Transportation, the Comptroller General of the United States, and, as applicable, the City of Kansas City, Missouri, to inspect all work, materials, construction sites, payrolls, and other data and records, and to audit the books, records, and accounts of the Contractor relating to its performance under this Contract.
- C. The Contractor agrees to permit any of the foregoing parties to reproduce by any means whatsoever or to copy excerpts and transcriptions as reasonably needed, and to include this clause in all subcontracts.

ARTICLE 30: REQUESTS FOR PAYMENT

- A. Invoices requesting payment shall be submitted directly to KCATA's Procurement Department. All invoices

shall be numbered, dated and submitted in duplicate, and contain full descriptive information of materials or services furnished. All invoices and correspondence shall reference KCATA's Contract number. Separate invoices shall be submitted for each purchase order or work (task) order.

- B. Payment by KCATA will be made within the later of 1) 30 days after receipt of a proper invoice, or 2) 30 days after KCATA's acceptance of supplies delivered or services performed by the Contractor. On a final invoice where the payment amount is subject to contract settlement actions, acceptance shall be deemed to have occurred on the effective date of the contract settlement.
- C. All final invoices shall be submitted to KCATA within 90 days of project completion or contract termination. Invoices submitted more than 90 days after project completion or contract termination will not be valid and will not be paid. Contractor indemnifies and holds KCATA harmless for any suit filed for payment of invoices submitted after 90 days of project completion or contract termination.
- D. **Subcontractor Payments**
 - 1. Prompt Payment. The Contractor shall establish procedures to ensure timely payment of amounts due pursuant to the terms of its subcontracts. The Contractor shall pay each DBE and non-DBE subcontractor for satisfactory performance of its contract, or any billable portion thereof, in accordance with the timing set forth in any applicable laws or no later than 30 days, whichever is less, from the date of the Contractor's receipt of payment from the Authority for work by that subcontractor.
 - 2. Prompt Return of Retainage. If retainage is withheld from subcontractors, the Contractor is required to return any retainage payment to its DBE and non-DBE subcontractors

in accordance with the timing set forth in any applicable laws or no later than 30 days, whichever is less, from the date of receipt of the retainage payment from the Authority related to the subcontractors work. Any delay or postponement of payment from said time frame may occur only for good cause following written approval from KCATA.

3. The Contractor shall certify on each payment request to the Authority that payment has been or will be made to all subcontractors. Lien waivers may be required for the Contractor and its subcontractors. The Contractor shall notify KCATA on or before each payment request, of any situation in which scheduled subcontractor payments have not been made.
4. If a subcontractor alleges that the Contractor has failed to comply with this provision, the Contractor agrees to support any Authority investigation, and if deemed appropriate by the Authority, to consent to remedial measures to ensure that subcontractors are properly paid as set forth herein.
5. The Contractor agrees that the Authority may provide appropriate information to interested subcontractors who inquire about the status of Authority payments to the Contractor.
6. Nothing in this provision is intended to create a contractual obligation between the Authority and any subcontractor or to alter or affect traditional concepts of privity of contract between all parties.

ARTICLE 31: RIGHT TO OFFSET

KCATA, without waiver or limitation of any rights, may deduct from any amounts due Contractor in connection with this Contract, or any other contract between Contractor and KCATA, any amounts owed by Contractor to KCATA, including amounts owed by Contractor pursuant to Contractor's obligation to indemnify KCATA against third party claims arising out of

Contractor's performance of work under this Contract.

ARTICLE 32: SEAT BELT USE POLICY

The Contractor agrees to comply with terms of Executive Order No. 13043 "Increasing Seat Belt Use in the United States" and is encouraged to include those requirements in each subcontract awarded for work relating to this Contract.

ARTICLE 33: SEVERABILITY

If any clause or provision of this Contract is held to be invalid illegal or otherwise unenforceable by a court of competent jurisdiction, the remaining provisions of this Contract shall continue in full force and effect.

ARTICLE 34: SUBCONTRACTORS

- A. **Subcontractor Approval.** None of the work or services covered by this Contract shall be subcontracted without the prior written approval of KCATA. The only subcontractors approved for this Contract, if any, are listed in an appendix to this Contract. Any substitutions or additions of subcontractors must have the prior written approval of KCATA as set forth herein.
- B. **DBE Subcontractor Employment.** See Disadvantaged Business Enterprise Provisions.
- C. **Subcontractor Payments.** See Requests for Payment Provisions.
- D. **Adequate Provision(s) in Subcontract(s).** Any subcontracts related to this Contract must contain adequate provisions to define a sound and complete agreement. In addition, all subcontracts shall contain contractual provisions or conditions that allow for:
 1. Administrative, contractual, or legal remedies in instances where subcontractors violate or breach contract terms, including sanctions and penalties as may be appropriate.

2. Termination for cause and for convenience including the manner by which it will be effected and the basis for settlement.
3. The following provisions if included in this Contract:

Acceptance of Material – No Release
 ADA Access Requirements
 Agreement in Entirety
 Assignment
 Bankruptcy
 Breach of Contract; Remedies
 Changes
 Civil Rights
 Conflicts of Interest
 Contractor’s Personnel
 Contractor’s Responsibility
 Debarment and Suspension
 Disadvantaged Business Enterprise (DBE)
 Disclaimer of Federal Government Obligations or Liability
 Dispute Resolution
 Employee Eligibility Verification
 Federal Changes
 Fraud and False or Fraudulent Statements or Related Acts
 Governing Law: Choice of Judicial Forum
 Headings
 Incorporation of FTA Terms
 Independent Contractor
 Insurance
 Laws and Regulations
 Liability and Indemnification
 Notification and Communication
 Privacy Act Requirements
 Prohibited Interests
 Prohibited Weapons and Materials
 Record Retention and Access
 Requests for Payment
 Right to Offset
 Severability
 Suspension of Work
 Taxpayer Identification Number (TIN)
 Termination
 Unavoidable Delays
 Warranty; Warranty of Title

- E. The Contractor will take such action with respect to any subcontractor as KCATA or

the U.S. Department of Transportation may direct as means of enforcing such provisions of this contract.

- F. KCATA reserves the right to review the Contractor’s written agreement with its subcontractors (DBE and non-DBE) to confirm that required federal contract clauses are included.
- G. KCATA may perform random audits and contact minority subcontractors to confirm the reported DBE participation.

ARTICLE 35: SUSPENSION OF WORK

KCATA may order the Contractor, in writing, to suspend, delay, or interrupt all or any part of the work under this agreement for the period of time that KCATA determines appropriate for the convenience of KCATA.

ARTICLE 36: TAXPAYER IDENTIFICATION NUMBER (TIN)

The Contractor is required to provide its TIN, which is the number required by the IRS to be used by KCATA in reporting income tax and other returns. The TIN provided by the Contractor is _____.

ARTICLE 37: TERMINATION

- A. **Termination for Convenience.** The KCATA may terminate this Contract, in whole or in part, at any time by written notice to the Contractor when it is in KCATA’s best interest. The Contractor will only be paid the Contract price for supplies delivered and accepted, or work or services performed in accordance with the manner of performance set forth in the Contract.
- B. **Funding State of Missouri or State of Kansas.** If this Contract is subject to financial assistance provided by the U.S. Department of Transportation, the Contractor agrees that withdrawal or termination of such financial assistance by the U.S. DOT may require KCATA to terminate the agreement.
- C. **Termination for Default.**

1. If the Contractor does not deliver supplies in accordance with the contract delivery schedule or according to specifications, or if the Contract is for services, and the Contractor fails to perform in the manner called for in the Contract, or if the Contractor fails to comply with any other provisions of the Contract, KCATA may terminate this Contract for default. Termination shall be effected by serving a notice of termination on the Contractor setting forth the manner in which the Contractor is in default. The Contractor will only be paid the contract price for supplies delivered and accepted, or services performed in accordance with the manner of performance set forth cost of the Contract.
2. If the termination is for failure of the Contractor to fulfill the contract obligations, KCATA may complete the work by contract or otherwise and the Contractor shall be liable for any additional cost incurred by KCATA. If, after termination for failure to fulfill contract obligations, it is determined that the Contractor was not in default, KCATA, after setting up a new delivery or performance schedule, may allow the Contractor to continue work, or treat the termination as a termination for convenience.

D. Opportunity to Cure. KCATA in its sole discretion may, in the case of a termination for breach or default, allow the Contractor an appropriately short period of time in which to cure the defect. In such case, the written notice of termination will state the time period in which cure is permitted and other appropriate conditions. If Contractor fails to remedy to KCATA's satisfaction the breach or default of any of the terms, covenants, or conditions of this Contract within the time period permitted, KCATA shall have the right to terminate the Contract without any further obligation to Contractor. Any such termination for default shall not in any way operate to preclude KCATA from also pursuing all available remedies legal and non-

legal against Contractor and its sureties for said breach or default.

- E. Waiver of Remedies for any Breach.** In the event that KCATA elects to waive its remedies for any breach by Contractor of any covenant, term or condition of this Agreement, such waiver by KCATA shall not limit KCATA's remedies for any succeeding breach of that or of any other term, covenant, or condition of this Agreement.
- F. Property of KCATA.** Upon termination of this Contract for any reason, and if the Contractor has any property in its possession or under its control belonging to KCATA, the Contractor shall protect and preserve the property or pay KCATA full market value of the property, account for the same, and dispose of it in the manner KCATA directs. Upon termination of this Contract for any reason, the Contractor shall (1) immediately discontinue all services affected (unless the notice directs otherwise), and (2) deliver to KCATA's Project Manager all data, drawings, specifications, reports, estimates, summaries, and other information and materials accumulated in performing this Contract, whether completed or in process.

ARTICLE 38: TEXTING WHILE DRIVING AND DISTRACTED DRIVING

Consistent with Executive Order No. 13513, "Federal Leadership on Reducing Text Messaging While Driving," October 1, 2009, 23 U.S.C. Section 402 note, and DOT Order 3902.10, "Text Messaging While Driving," December 30, 2009, the Contractor agrees to promote policies and initiatives for its employees and other personnel that adopt and promote safety policies to decrease crashes by distracted drivers, including policies to ban text messaging while driving, and to encourage each subcontractor to do the same.

ARTICLE 39: UNAVOIDABLE DELAYS

A delay is unavoidable only if the delay was not reasonably expected to occur in connection with

or during the Contractor's performance, and was not caused directly or substantially by acts, omissions, negligence, or mistakes of the Contractor, the Contractor's suppliers, or their agents, and was substantial and in fact caused the Contractor to miss delivery dates, and could not adequately have been guarded against by contractual or legal means.

**ARTICLE 39: WARRANTY;
WARRANTY OF TITLE**

- A. The Contractor agrees that equipment, materials or services furnished under this Agreement, shall be covered by the most favorable warranties the Contractor gives to any customer of such equipment, materials or services and that the rights and remedies provided herein are in addition to and do not limit any rights afforded to KCATA by any other clause in this Contract.
- B. The Contractor warrants to KCATA, that all products, equipment and materials furnished under this Contract will be of highest quality and new unless otherwise specified by KCATA, free from faults and defects and in conformance with the Contract. All work not so conforming to these standards shall be considered defective. If required by KCATA, the Contractor shall furnish satisfactory evidence as to the kind and quality of products, equipment and materials. Further, at a minimum, all such products, equipment or materials must be free of defects in workmanship or materials, merchantable, comply with all applicable specifications and laws and be suitable for its intended purposes. The workmanship must be the best obtainable in the various trades.
- C. Upon final acceptance by KCATA of all work to be performed by the Contractor, KCATA shall so notify the Contractor in writing. The date of final acceptance shall commence the warranty period.
- D. Warranty of Work and Maintenance
 - 1. The Contractor warrants to KCATA, that all products, equipment and materials furnished under this Contract will be of highest quality and new unless otherwise specified

by KCATA, free from faults and defects in workmanship or materials, merchantable, suitable for its intended purpose and in conformance with the Contract. All work not so conforming to these standards shall be considered defective. If required by KCATA, the Contractor shall furnish satisfactory evidence as to the kind and quality of products, equipment and materials. The work or services furnished must be of first quality and the workmanship must be the best obtainable in the various trades.

- 2. The work must be of safe, substantial and durable construction in all respects. The Contractor hereby guarantees the work against defective materials or faulty workmanship for a minimum period of one (1) year after final payment by KCATA and shall replace or repair any defective products, equipment or materials or faulty workmanship during the period of the guarantee at no cost to KCATA.

ARTICLE 40: GENERAL PROVISIONS

- A. **No Third Party Beneficiaries.** The parties do not intend to confer any benefit hereunder on any person, firm or entity other than the parties hereto.
- B. **Extensions of Time.** No extension of time for performance of any Contractor obligations or acts shall be deemed an extension of time for performance of any other obligations or acts.
- C. **Binding Effect.** This Contract shall bind and inure to the benefit of the legal representatives, successors and permitted assigns of the parties.
- D. **Counterparts.** This Contract may be executed at different times and in two or more counterparts and all counterparts so executed shall for all purposes constitute one contract, binding on all the parties hereto, notwithstanding that all parties shall not have executed the same counterpart. And, in proving this Contract, it shall not be necessary to produce or account for more than one

such counterpart executed by the party against whom enforcement is sought.

- E. **Interpretation; Update of Citations.** Unless otherwise specified herein, (a) the singular includes the plural and the plural the singular; (b) words importing any gender include the other genders; and (c) references to persons or parties include their permitted successors and assigns. The parties recognize and agree that many of the laws, regulations, policies, procedures and directives stated as governing the Contractor's performance of its work or services, or the supplying of products, equipment, or materials, pursuant to this Contract are subject to updating, amendment or replacement. Therefore, all such references in this Contract are agreed by the parties to be deemed to refer to the then current updated, amended or replacement form of such laws, regulations, policies, procedures and directives in effect at the applicable time during the term of this Contract and the same are hereby incorporated into this Contract by this reference.
- F. **When Effective.** Notwithstanding any provision contained in this Contract to the contrary, this Contract shall become effective only after the execution and delivery of this Contract by each of the parties hereto and no course of conduct, oral contract or written memoranda shall bind the parties hereto with respect to the subject matter hereof except this Contract.
- G. **Further Actions; Reasonableness and Cooperation by Parties; Time for Certain Actions.** Each party agrees to take such further actions and to execute such additional documents or instruments as may be reasonably requested by the other party to carry out the purpose and intent of this Contract. Except where expressly stated to be in a party's sole discretion, or where it is stated that a party has the ability to act in its sole judgment or for its own uses or purposes, wherever it is provided or contemplated in this Contract that a

party must give its consent or approval to actions or inactions by the other party or a third party in connection with the transactions contemplated hereby, such consent or approval will not be unreasonably withheld or delayed. If no time period is set hereunder for a party to approve or consent to an action or inaction by the other party or a third party such approval shall be given or affirmatively withheld in writing within ten (10) business days after it is requested in writing or it shall be deemed given.

- H. **Time Periods.** A "business day" is a business working day of KCATA administrative personnel which are days other than a Saturday, Sunday or legal holidays observed by the KCATA for administrative personnel. If the time period by which any right or election provided under this Contract must be exercised, or by which any act required hereunder must be performed, expires on a day which is not a business day, then such time period shall be automatically extended through the close of business on the next regularly scheduled business day.
- I. **Survival.** In addition to any provisions expressly stated to survive termination of this Contract, all provisions which by their terms provide for or contemplate obligations or duties of a party which are to extend beyond such termination (and the corresponding rights of the other party to enforce or receive the benefit thereof) shall survive such termination.
- J. **Authority of Signatories.** Any person executing this Contract in a representative capacity represents and warrants that such person has the authority to do so and, upon request, will furnish proof of such authority in customary form.