

Request for Quotations

RFQ # 17-7034-26

Bus Shelter Protective Film Services

Kansas City Area Transportation Authority (KCATA) requests quotes from qualified vendors to provide 3M™ Scotchgard™ Invisible Transit Film 1004 or approved equal protective film and installation of the protective film on bus passenger shelter located along the Troost Avenue Corridor as specified in Attachment A. All work to be completed in accordance with Federal Davis Bacon and/or Annual Wage Order; the higher of the two wage rates shall prevail. Release of this RFQ solicitation does not compel the KCATA to purchase.

Submittal of Quotations: Your written quotation must be received no later than **June 9, 2017 at 2:00 pm** via fax or email to Jessica Johnson at jjohnson@kcata.org or fax to 816-346-0336. Questions should be directed, in written format, to this email address no later than June 1, 2017.

Type of Contract: KCATA contemplates award of a firm fixed price contract with regard to price.

Period of Performance: KCATA anticipates a one-time award at a firm, fixed price with a minimum acceptance period of One Hundred Twenty (120) calendar days.

Basis for Award: Contract award, if any, will be made on the basis of the lowest responsive bidder complying with all the conditions of the bids, specifications, and instruction. Any such award will be made within 30 days after receipt of the quote.

- a. If awarded at all, the bid may be awarded to the bidder whose total price is lowest, whose bid is responsive to the invitation thereof, and who is determined to be technically and financially responsible to perform as required. The KCATA reserves the right to accept another bid, if it is in the best interest of the Authority.

Conditional bids and any bid taking exception to these instructions or conditions, to the contract conditions or specifications, or to other contract requirements may be considered non-responsive and may be rejected.

Reservations: KCATA reserves the right to waive informalities or irregularities in quotes, to reject any or all quotes; to cancel this RFQ in part or in its entirety.

Tax Exempt Status: The Kansas City Area Transportation Authority is exempt from federal excise, federal transportation and state sales tax and such taxes shall not be included in price quotations. All discounts should be reflected in the quote. By submission of quote, the bidder certifies that none of the taxes as to which the Authority is exempt, are included in its bid price(s).

Note to Vendors: Please be advised that all vendors and contractors doing business with KCATA, or who may do business with KCATA, must be registered in the KCATA Vendor Registration System before they can be awarded a contract. If you have not registered, please do so at the Doing Business tab of www.kcata.org. Please be aware that it is the vendor's responsibility to register and update all information at www.kcata.org. Awarded Vendors will be required to provide a debarment certificate for purchases exceeding \$25,000. **Contractors doing business with KCATA must certify that they are enrolled in and are participating in a federal work authorization program (i.e., Department of Homeland Security's E-Verify Program). You may wish to visit the World Wide Web and search these links for guidance in obtaining e-verification information if you are unfamiliar with the process: www.https://e-verify.uscis.gov/emp or www.dhs.gov/E-Verify. Please see attached form for completion. A Memo of Understanding is to be provided for all purchases/contracts valued at \$5,000 or more.

Quotations must be submitted to KCATA using the attached bid form. Modifications to the form or substitution of the quotation document(s) may deem the Proposer non-responsive. All requested documents, as specified, are due at the time of price/quote submission. Failure to provide documents may deem the Proposer non responsive and therefore the bid/quote not considered.

Approved Equals: Wherever brand, manufacturer, or product names are used, they are included only for the purposes of establishing a description of minimum quality of the requested item unless otherwise specified. This inclusion is not to be considered as advocating or prescribing the use of any particular brand or item or product. However, approved equals or better must be pre-approved by the Buyer prior to bid submission date and time. *All requests for approved equals shall be received in writing by no later than 4:00 pm CDT on June 1, 2017.* Any changes to the specifications will be made by addendum. Bidders may discuss the specification with the KCATA Procurement Department; however, requests for changes shall be written and documented. When an approved equal is requested, the Bidder shall demonstrate the quality of its product to the KCATA, and shall furnish sufficient technical data, test results, etc. to enable the KCATA to determine whether the Bidder's product is or is not equal to specifications.

Delivery Requirements: Price must include delivery to **KCATA, 1350 E. 17th Street, Kansas City, Missouri 64108**. A packing slip must be included with each shipment, which must include at least the following information in no particular order:

1. Item Description
2. Quantity Ordered
3. Quantity included in the specific shipment
4. Any back-order items
5. Number of delivery packages/parcels
6. Purchase Order Number
7. Material Safety Data Sheets (MSDS) as applicable to the product. An initial MSDS must, at a minimum, accompany the first shipment of the item and updated as required.

The supplier shall expedite any delivery that is required to correct a mishandled order that occurs due to the supplier's negligence or error. Any rush delivery that occurs as a result of the supplier's error (e.g., out of stock items) shall be free of any associated expedited delivery processing or mailing/handling charge. No handling surcharges shall be added or discounts lost for any rush or expedited orders required to correct the supplier's error.

The Supplier shall delivery products in accordance with the contracted delivery times stated herein to the KCATA upon receipt of an authorized Purchase Order.

Delivery shall include unloading shipments at the KCATA's dock or other designated unloading site as requested by KCATA.

Award & Purchase Order or Contract: KCATA shall have the right to make awards by item, group of items, or an all or none basis. KCATA may make awards to multiple vendors. The grouping of items and/or multiple vendor awards shall be determined by KCATA based upon factors such as item similarity, location, administrative efficiency, or other considerations in the best interest of KCATA for purchases of the product items described in the Pricing Table stated in Attachment B to a responsive and responsible bidder(s) whose bid response conforms to this RFQ and is the lowest in price. Factors such as discounts, transportation costs and life cycle costs will be considered in determining which bid is lowest in price.

- A. Upon acceptance and award of a bid by KCATA, a purchase order or contract shall be issued thereon and shall constitute a contract for furnishing the items described in the bid in strict conformity with the specifications and bid conditions.
- B. The purchase order or contract shall be considered as made in Kansas City, Missouri, and the construction and enforcement of it shall be in accordance with the laws of the State of Missouri except those pertaining to conflicts of law.
- C. No work shall commence without a written Notice to Proceed and issuance of purchase order.

Attachment A
Scope of Work
RFQ # 17-7034-26
Bus Shelter Protective Film Services

The scope of work for this project consists of providing and installing 3M™ Scotchgard™ Invisible Transit Film 1004 or approved equal protective film designed for exterior application on 30 bus passenger shelters that possess the following attributes at a minimum:

- 0.5mm thickness
- Transparent/clear and pressure sensitive film with 93% clarity, 82% visible light transmission, 6.5% haze and blocks up to 98% UV light
- Polyester backing and acrylic adhesive
- Base layer adhesion to glass shall be 23oz. per inch and layer to layer adhesion shall be 11 oz. per inch; each layer must be easily removed with little or no residual adhesive and no damage to bus shelters
- Film shall consist of four (4) layers with each layer designed for easy removal with special hook type tool to expose a fresh protective layer
- Ability to withstand pressure washing and general cleaning, maintenance by owner
- Film must offer protection of substratum from scratches, graffiti markings, acid etchings, nicks and gouges and any other intentional mutilation
- Film must be manufactured for use on exterior, polycarbonate surfaces showing no noticeable attribute changes with exterior exposure
- 24 month shelf life

Work hours may be at the Contractor's discretion. Contractor shall be responsible for removing old, damaged film and providing and installing 440 pre-identified panels of protective film, front and back, at 30 shelter locations specified herein Attachment B. All field measure and cut-to-fit or other method of sizing the film for accurate installation is the responsibility of the Contractor. All labor, tools, material, equipment, supervision and insurance necessary to complete the work are the responsibility of the Contractor. Shelter panels shall be covered on both interior and exterior as directed by KCATA. Film shall be warranted against failure, for not less than four (4) years after initial installation.

The initial installation of film at 30 shelter locations must be completed within 30 days of Notice to Proceed.

After removing old film, should glass panel reveal unacceptable mutilation as determined by KCATA, Contractor will not install new film on the unacceptable glass panel. Contractor will notify KCATA personnel of the damaged piece(s) of glass so they can make determination if glass will be replaced by KCATA personnel prior to new film being applied. Following glass replacement KCATA will notify Contractor that work has been done and new film can be installed by the Contractor at that time.

All work must be completed in accordance with the Federal Davis Bacon and/or prevailing wage. The higher of the two rate shall prevail and awarded contractor is required to submit with their invoice/payment application certified payrolls for review. The current Missouri Annual Wage Order for Jackson County, Missouri is applicable (Attachment K). The current Federal Davis Bacon Act Prevailing Wage Order for Jackson County, Missouri is applicable (Attachment L).

Locations of 30 Bus Passenger Shelters for Protective Film Installation:

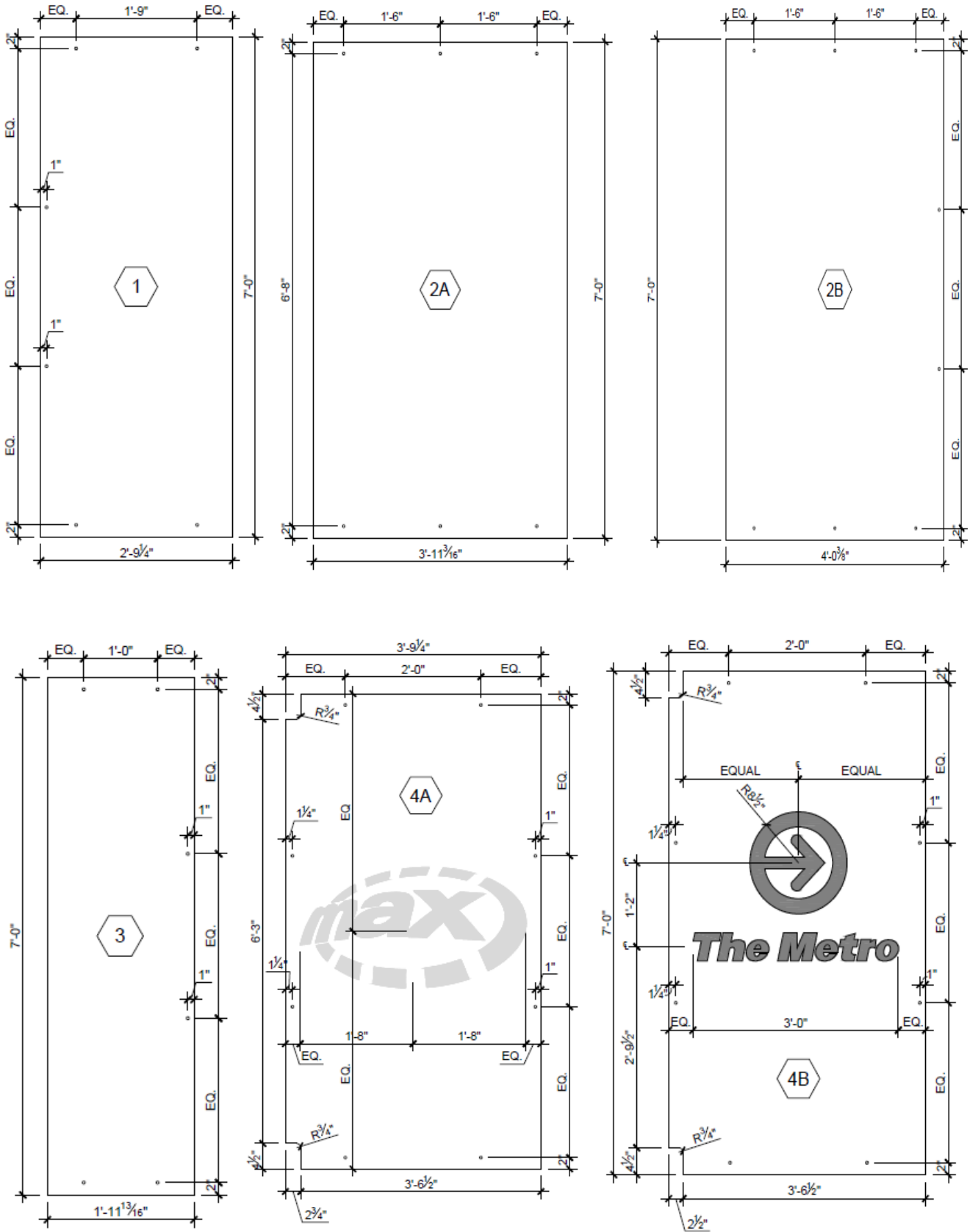
<u>Direction</u>	<u>Location</u>	<u>Quantity of Shelters @ Location</u>
SW	18 th & Charlotte	1
Mid-block	23 rd & Charlotte	1
Mid-block	25 th & Campbell	1
SW	27 th & Troost	1
NE	27 th & Troost	1
SW	31 st & Troost	2
SE	31 st & Troost	1
E	31 st & Troost (on 31 st)	1
SW	Linwood & Troost	1
SE	Linwood & Troost	1
SW	Armour & Troost	1
NE	Armour & Troost	1
SW	39 th & Troost	2
E	39 th & Troost (on 39 th)	1
NW	Cleaver II & Troost	1
SE	Cleaver II & Troost	1
SW	51 st & Troost	1
NW	55 th & Troost	1
SW	63 rd & Troost	1
Mid-block	95 th & Troost	1
SE	89 th & Troost	1
SE	82 nd & Troost	1
SE	75 th & Troost	1
W	75 th & Troost (on 75 th)	1
NE	63 rd & Troost	1
NE	55 th & Troost	1
Mid-block	23 rd & Holmes	1
NE	18 th & Holmes	1

**Attachment B
Bus Shelter Panels**

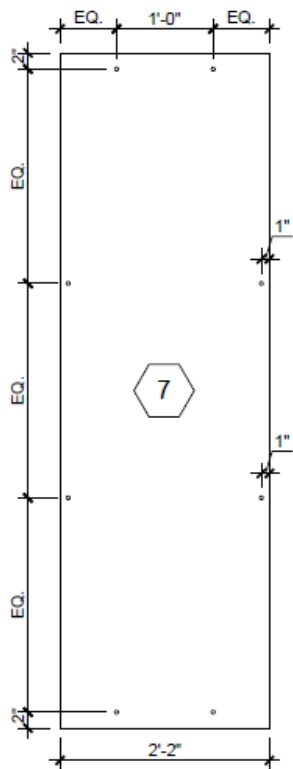
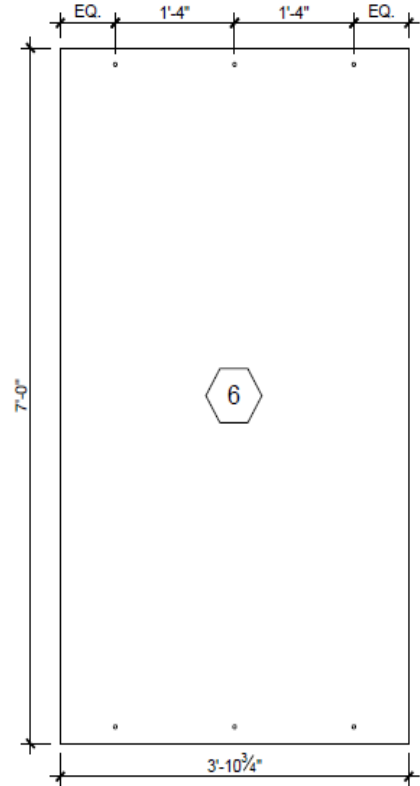
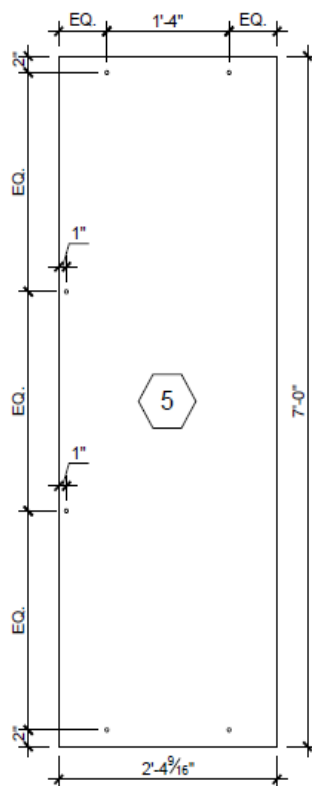
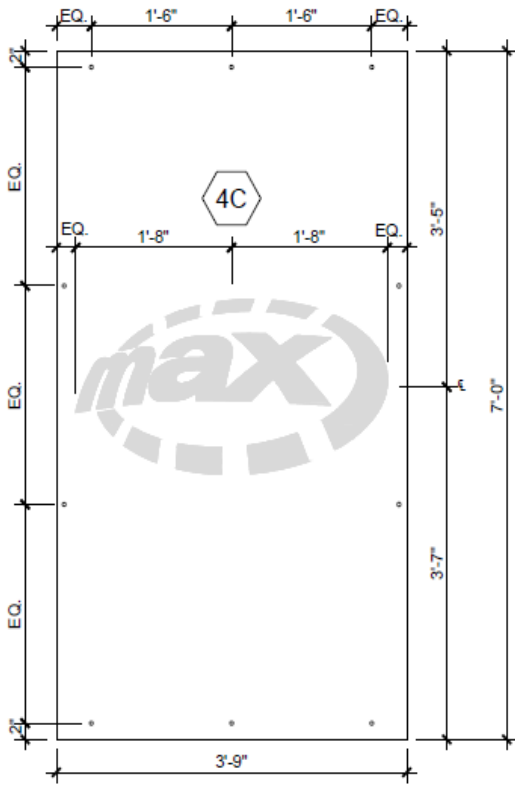
Quantity per Location

Location	Direction	Panel 1	Panel 2A	Panel 3	Panel 4A	Panel 4B	Panel 5	Panel 6	Panel 7
SOUTHBOUND									
18 th & Charlotte	SW						2		
23 rd & Charlotte	mid-block				2				
25 th & Campbell	mid-block			2	2		2		2
27 th & Troost	SW	2	2	4	4			4	
31 st & Troost (A)	SW	2	2	4	4			2	2
31 st & Troost (B)	SW	2	2	2	4			2	2
31 st & Troost (on 31 st)	E	2	2	4		4	2	4	2
Linwood & Troost	SW	2	2		4		2	2	2
Armour & Troost	SW	2	2	4	4		2	2	2
39 th & Troost (A)	SW	2	2	2	4		2	4	2
39 th & Troost (B)	SW	2	2	4	4		2	4	2
39 th & Troost (on 39 th)	E	2	2	2		4	2	4	2
Cleaver II & Troost	NW	2	2	4	2		2	4	2
51 st & Troost	SW			2				4	2
55 th & Troost	NW		2	4	2		2	4	2
63 rd & Troost	SW		2	2	6		4	2	
NORTHBOUND									
95 TH & Troost	mid-block			4	2		2	4	2
89 th & Troost	SE	2	2	2	2		2	4	2
82 nd & Troost	SE	2	2	4	4		2	4	2
75 th & Troost	SE	2	2	2					2
75 th & Troost (on 75 th)	W		2						
63 rd & Troost	NE	2	2	4	4		2	4	2
55 th & Troost	NE	2	2	4	4				2
Cleaver II & Troost	SE	2	2	4	4		2	4	2
Armour & Troost	NE	2	2	4	4		2	4	2
Linwood & Troost	SE		2	2	6		4	2	
31 st & Troost	SE	2	2	4	4		2	4	2
27 th & Troost	NE	2	2	4	4		2	4	2
23 rd & Holmes	mid-block	2	2	4	4		2	4	2
18 th & Holmes	NE				2			4	
GRAND TOTAL		40	48	82	86	8	46	84	46

**Attachment B ~continued
Bus Shelter Panels Dimensions**



**Attachment B ~continued
Bus Shelter Panels Dimensions**



**Attachment C
Quotation/Award/Contract**

Quotation Number: 17-7034-26 Date Issued: May 26, 2017

For: Bus Shelter Protective Film Services

It is the intent of the KCATA to award a contract to the bidder whose total price is lowest, whose bid is responsive to the invitation thereof, and who is determined to be technically and financially responsible to perform as required. The KCATA reserves the right to accept another bid, if it is in the best interest of the Authority.

ITEM NO.	DESCRIPTION/COMMENTS	UNIT OF MEASURE	UNIT PRICE	QUANTITY	EXTENDEND PRICE
1.	Panel 1	each	\$	40	\$
2.	Panel 2A	each	\$	48	\$
3.	Panel 3	each	\$	82	\$
4.	Panel 4A	each	\$	86	\$
5.	Panel 4B	each	\$	8	\$
6.	Panel 5	each	\$	46	\$
7.	Panel 6	each	\$	84	\$
8.	Panel 7	each	\$	46	\$
9.	Labor	Lot		1	
GRAND TOTAL:					\$

DESCRIPTION/COMMENTS	UNIT OF MEASURE	UNIT PRICE
Additional costs to KCATA, if any. Provide Detail.	TOTAL	\$

Describe Warranty Detail: _____

The undersigned, acting as an authorized agent or officer for the Bidder, does hereby agree to the following:

1. The offer submitted is complete and accurate, including all forms required for submission in accordance with the terms and conditions listed in this Request For Quotation (RFQ) and any subsequent Addenda. The Bidder shall immediately notify the KCATA in the event of any change.
2. The quantities specified are based upon the best available estimates and do not determine the actual amount the Authority shall order during the contract period. The quantities are subject to change. Payments will be based on actual quantities order based on the unit rates quoted.
3. The undersigned agrees to furnish and deliver the items or perform services as described herein for the consideration stated in accordance with the terms and conditions listed in the KCATA RFQ. The rights and obligations of the parties to any resultant purchase order/contract shall be subject to and governed by this document and any documents attached or incorporated herein by reference.

Company Name (Type / Print) _____ Date _____

Address / City / State / Zip _____

X _____ Title _____

Authorized Signature _____

Name (Type / Print) _____

Telephone # _____ Facsimile # _____

E-mail Address _____

Attachment C ~ continued

RFQ #17-7034-26

Bus Shelter Protective Film Services

Solicitation Award Information

~ To Be Completed By KCATA~

The KCATA hereby accepts the offer submitted by your company in response to this Request for Quotations. This award consummates the contract which consists of (a) this award, (b) the solicitation and (c) such provisions, representations and certifications as are attached or incorporated herein by reference. No materials, products, services or associated items required to fulfill the obligation of the deliverables stated in this Request for Quotations shall be made without the consent and signature of authorized KCATA personnel.

The total amount of this award is: \$ _____

Awarded Bidder: _____

Contract Period: _____

Authorized Signature for KCATA: X _____ **Date:** _____

Michael Graham, Chief Financial Officer

Attachment D
RFQ # 17-7034-26
Bus Shelter Protective Film Services

Vendors

G.I.S. Distributing
Attn: Joe Martinez/Peter Santoro
104 Abbie Ave.
Kansas City, KS 64103
P: 816-333-6494
E: giskc@yahoo.com
E: jmartinezgiskc@yahoo.com

KC Window Film
Attn: George Thompson
9928 W 62nd Ter
Merriam, KS 66203
P: 913-671-1955
E: george@kcwindowfilm.com

Solar Pro Window Tinting
Attn: Darin
2300 Main St., STE 900
Kansas City, MO 64108
P: 816-474-8468
E: darin@solarprowindowtinting.com

Window Film Depot
Attn: Krissy Mosby
P: 816-759-8424
E: krissy@windowfilmdepot.com

**ATTACHMENT E
KCATA VENDOR REGISTRATION FORM**

Thank you for your interest in doing business with the Kansas City Area Transportation Authority. To be placed on the KCATA Registered Vendors List for goods and services, please complete this form **in its entirety** and return it to the KCATA Procurement Department. Submittal of this registration form will place your company on the KCATA Registered Vendor List, but does not guarantee a solicitation. The list will be periodically purged. If you do not receive solicitations, inquire to confirm that your company remains on our list. Current business opportunities can be found in the "Doing Business with KCATA" section of our website, www.kcata.org.

Firms are required to submit this information to KCATA once. However, it is your responsibility to notify KCATA of any changes to your business that may affect your registration (i.e. address, contact information).

Legal Entity Name:		Phone:	
Doing Business As:		Toll-free Phone:	
Physical Address:		Fax:	
City:		Email:	
State:		Zip:	
Website:			
Contact Person Name:		Title:	
Contact Phone:		Contact Email:	
Mailing Address:		Phone:	
City:		Fax:	
State:		Zip:	
Comments:			
Business Type:	<input type="checkbox"/> Individual	<input type="checkbox"/> Partnership	<input type="checkbox"/> Corporation
	<input type="checkbox"/> Limited Liability Company	<input type="checkbox"/> Other (Explain) _____	
If Incorporated, in Which State:		Federal Tax ID No:	
Years in Business:		Years in Business Under Current Name:	
Does your firm have a Data Universal Numbering System (DUNS) number as a Federal contractor? If so, please provide. DUNS numbers may be obtained free of charge from Dun & Bradstreet at 1-866-705-5711 or at www.fedgov.dnb.com/webform .			DUNS # _____
Annual Gross Receipts. This information is required by U. S. Department of Transportation and Vendors will be requested to update this information on a regular basis.	<input type="checkbox"/> Less than \$250,000	<input type="checkbox"/> \$250,000 to \$500,000	<input type="checkbox"/> \$500,000 to \$1 Million
	<input type="checkbox"/> \$1 Million to 5 Million	<input type="checkbox"/> \$5 Million to 10 Million	<input type="checkbox"/> More than \$10 Million
Standard Invoice Terms:	Due Days	Discount Days	Percent
Please provide a description of the goods and services you are interested in providing to KCATA. Include the corresponding North America Industry Classification System (NAICS) Codes for your business type. For a listing of the codes visit U.S. Small Business Administration's website at http://www.sba.gov/content/small-business-size-standards .			
NAICS CODE(S) :		NAICS CODE(S):	
NAICS CODE(S):		NAICS CODE(S):	

1. Is your firm a Disadvantaged Business Enterprise (DBE) based on the definitions and U.S. Department of Transportation certification guidelines in 49 CFR Part 26? If YES, submit a copy of a copy of your current certification from your state's UCP.	<input type="checkbox"/> YES	<input type="checkbox"/> NO	<input type="checkbox"/> ENCLOSED
2. Is your firm a Small Business Enterprise (SBE) as defined by the U.S. Small Business Administration's Small Business Size Guidelines and 13 CFR 121? For further information on 13 CFR 121 and SBE designation refer to SBA's website at http://www.sba.gov/content/small-business-size-standards	<input type="checkbox"/> YES	<input type="checkbox"/> NO	<input type="checkbox"/> ENCLOSED
3. Is your firm a Woman-Owned Business Enterprise (WBE) or Minority Owned Business Enterprise (MBE) certified by a nationally recognized organization? If YES, please provide a copy of your certification documentation.	<input type="checkbox"/> YES	<input type="checkbox"/> NO	<input type="checkbox"/> ENCLOSED

4. Does your firm meet any of these other federal business classifications? If YES, please provide a copy of certification documents.

Service Disabled, Veteran Owned Business
 SBA 8(a) Certified Business
 HubZone Program Certified
 Other _____

DBE/SBE CERTIFICATION: The KCATA participates in the U. S. Department of Transportation's DBE and SBE programs. Certification in these programs is based on the regulations in 49 CFR Part 26. If your firm is interested in becoming a certified DBE or SBE, please contact KCATA's Contracting/Supplier Diversity Coordinator at (816) 346-0224 or via email at dadams@kcata.org

WORKER ELIGIBILITY AFFIDAVIT: As required by §285.500 RSMo, et seq., any business contracting to perform work in excess of \$5,000 for the KCATA shall provide a sworn affidavit affirming: (1) its enrollment and participation in a federal work authorization program such as U. S. Department of Homeland Security's E-Verify, accompanied by corresponding documentation to evidence its enrollment in that program; and (2) that it does not knowingly employ any person who does not have the legal right or authorization under federal law to work in the United States. Prior to being awarded any contract with KCATA, you will be required to furnish proof of your firm's participation in such program.

VENDOR CERTIFICATION: I certify that information supplied herein (including all pages attached) is correct and that neither the business entity nor any person in any connection with the business entity as a principal or officer, so far as known, is now debarred or otherwise declared ineligible from bidding for furnishing materials, supplies, or services to the Kansas City Area Transportation Authority or declared ineligible to participate in federally funded projects.

Signature		Date
Printed Name		Title

The following documents must be returned:

- Completed Vendor Registration Form
- KCATA Workforce Analysis/EEO-1 Report
- Affidavit of Civil Rights Compliance (*found on KCATA's website as Attachment B*)

**Return completed Vendor Registration Packet to Kansas City Area Transportation Authority,
 Procurement Department, 1350 East 17th Street, Kansas City, MO 64108
 Fax: (816) 346-0336 or email: dadams@kcata.org**

NOTE: Vendors will be required to submit a signed IRS W9 form prior to authorization of any purchase.

A foreign corporation may not transact business in Missouri until it obtains a Certificate of Authority. To apply, you must use the forms provided by the Missouri Secretary of State's office, as required by law.

**GUIDELINES FOR COMPLETING
KCATA WORKFORCE ANALYSIS/EEO-1 REPORT**

Contractor shall apply the following definitions to the categories in the attached Workforce Analysis/EEO-1 Report form. Contractors must submit the Workforce/Analysis form to be considered for contract award. The form is also required for all subcontractors.

A. RACIAL/ETHNIC

1. **WHITE** (not of Hispanic origin): All persons having origins in any of the original peoples of Europe, North Africa, or the Middle East.
2. **BLACK** (not of Hispanic origin): All persons having origins in any of the Black racial groups of Africa.
3. **HISPANIC**: All persons of Mexican, Puerto Rican, Cuban, Central or South American origin, regardless of race.
4. **ASIAN or PACIFIC ISLANDER**: All persons having origins in any of the original peoples of the Far East, Southeast Asia, the Indian Subcontinent, or the Pacific Islands. This area includes, for example, China, Japan, Korea, the Philippine Islands, and Samoa.
5. **AMERICAN INDIAN or ALASKAN NATIVE**: All persons having origins in any of the original peoples of North America, and who maintain cultural identification through tribal affiliation or community recognition.

B. JOB CATEGORIES

1. **OFFICIALS and MANAGERS**: Includes chief executive officers, presidents, vice-presidents, directors and kindred workers.
2. **PROFESSIONALS**: Includes attorneys, accountants and kindred workers.
3. **TECHNICIANS**: Includes computer programmers and operators, drafters, surveyors, highway technicians, inspectors and kindred workers.
4. **SALES WORKERS**: Includes contract sales representatives, purchasing agents, customer relations representatives and kindred workers.
5. **OFFICE and CLERICAL**: Includes secretaries, book-keepers, clerk typists, payroll clerks, accounts payable clerks, receptionists, switchboard operators and kindred workers.
6. **CRAFT WORKERS** (skilled): Includes mechanics and repairers, electricians, carpenters, plumbers and kindred workers.
7. **OPERATIVES** (semi-skilled): Includes bricklayers, plaster attendants, welders, truck drivers and kindred workers.
8. **LABORERS** (unskilled): Includes laborers performing lifting, digging, mixing, loading and pulling operations and kindred workers.
9. **SERVICE WORKERS**: Includes janitors, elevator operators, watchmen, chauffeurs, attendants and kindred workers.

KCATA WORK FORCE ANALYSIS/EEO-1 REPORT

Report all permanent, temporary, or part-time employees including apprentices and on-the-job trainees. Enter the appropriate figures on all lines and in all columns. All blank spaces will be considered zero. This form is also required for subcontractors and major suppliers on a project.

Job Categories	Number of Employees (Report employees in only one category)														Total Col A-N
	Race/Ethnicity														
	Hispanic or Latino		Not Hispanic or Latino												
			Male						Female						
Male	Female	White	Black or African American	Native Hawaiian or Other Pacific Islander	Asian	American Indian or Alaska Native	Two or more races	White	Black or African American	Native Hawaiian or Other Pacific Islander	Asian	American Indian or Alaska Native	Two or more races		
A	B	C	D	E	F	G	H	I	J	K	L	M	N	O	
Executive/Senior-Level Officials and Managers															
First/Mid-Level Officials and Managers															
Professionals															
Technicians															
Sales Workers															
Administrative Support Workers															
Craft Workers															
Operatives															
Laborers and Helpers															
Service Workers															
TOTAL															
PREVIOUS YEAR TOTAL															
TYPE OF BUSINESS	<input type="checkbox"/> Manufacturing		<input type="checkbox"/> Wholesale		<input type="checkbox"/> Construction		<input type="checkbox"/> Regular Dealer		<input type="checkbox"/> Selling Agent		<input type="checkbox"/> Service Establishment			<input type="checkbox"/> Other	

Signature of Certifying Official

Company Name

Printed Name and Title

Address/City/State/Zip Code

Date Submitted

Telephone Number/Fax Number

ATTACHMENT F

AFFIDAVIT OF CIVIL RIGHTS COMPLIANCE

STATE OF _____

COUNTY OF _____

On this ____ day of _____, 20____, before me appeared _____, personally known by me or otherwise proven to be the person whose name is subscribed on this affidavit and who, being duly sworn, stated as follows: I am the _____ (title) of _____ (business entity) and I am duly authorized, directed or empowered to act with full authority on behalf of the business entity in making this affidavit.

I hereby swear or affirm that the business entity complies with the following:

A. **Nondiscrimination.** In accordance with Title VI of the Civil Rights Act, as amended, 42 U.S.C. § 2000d, section 303 of the Age Discrimination Act of 1975, as amended, 42 U.S.C. § 6102, section 202 of the Americans with Disabilities Act of 1990, 42 U.S. C. § 12132, and Federal transit law at 49 U.S.C. § 5332, the Contractor agrees that it will not discriminate against any employee or applicant for employment because of race, color, creed, national origin, sex, age, or disability. In addition, the Contractor agrees to comply with applicable Federal implementing regulations and other implementing regulations that the Federal Transit Administration (FTA) may issue.

B. **Equal Employment Opportunity.** The following equal employment opportunity requirements apply to this Contract:

1. Race, Color, Creed, National Origin or Sex. In accordance with Title VII of the Civil Rights Act, as amended, 42. U.S.C. §2000e, *et seq.*, and Federal transit laws at 49 U.S.C. §5332, the Contractor agrees to comply with all applicable equal opportunity requirements of the U.S. Department of Labor (U.S. DOL) regulations, “Office of Federal Contract Compliance Programs, Equal Employment Opportunity, Department of Labor” 41 C.F.R. Parts 60 *et seq.*, (which implement Executive Order No. 11246, “Equal Employment Opportunity,” as amended by Executive Order No. 11375, “Amending Executive Order 11246 Relating to Equal Employment Opportunity,” 42 U.S.C. 2000e note), and with any applicable Federal statutes, executive orders, regulations, and Federal policies that may in the future affect activities undertaken in the course of the Contract. The Contractor agrees to take affirmative action to ensure that applicants are employed, and that employees are treated during employment, without regard to their race, color, creed, sex, sexual orientation, gender identity, national origin, disability or age. Such action shall include, but not be limited to, the following: employment, upgrading, demotion or transfer, recruitment or recruitment advertising, layoff or termination; rates of pay or other forms of compensation; and selection for training, including apprenticeship. In addition, the Contractor agrees to comply with any implementing requirements FTA may issue.
2. Age. In accordance with Section 4 of the Age Discrimination in Employment Act of 1967, as amended, 29 U.S.C. § 623 and Federal transit law at 49 U.S.C. §5332, the Contractor agrees to refrain from discrimination against present and prospective employees for reason of age. In addition, the Contractor agrees to comply with any implementing requirements FTA may issue.
3. Disabilities. In accordance with section 102 of the Americans with Disabilities Act, as amended, 42 U.S.C. §12112, the Contractor agrees that it will comply with the requirements of U.S. Equal

ATTACHMENT F ~ continued

Employment Opportunity Commission, "Regulations to Implement the Equal Employment Provisions of the Americans with Disabilities Act," 29 C.F.R. Part 1630, pertaining to employment of persons with disabilities. In addition, the Contractor agrees to comply with any implementing requirements FTA may issue.

Affiant's Signature

Date

Subscribed and sworn to me before this _____ day of _____, 20____.

Notary Public Signature

Date

My Commission expires: _____

Signature and Title of Authorized Official

Date

ATTACHMENT G

TRAVEL POLICY & HOTEL RATES FOR CONTRACTORS

General Policy

Contractors will be reimbursed for authorized and documented expenses incurred while conducting KCATA business. Expenses for a traveler's companion are not eligible for reimbursement. Contractors are expected to make prudent business decisions and comparison shop for airfares, rental cars, lodging, etc., and to keep in mind that they are being reimbursed with public monies.

Receipts, paid bills or other documentary evidence for expenditures must be submitted with requests for reimbursement. The request for reimbursement must clearly indicate the amount, date, place and essential character of the expenditures.

The KCATA reserves the right to modify this travel policy with proper notification to Contractors.

1. **Airfare:** Commercial airline, coach class seating only. When possible, trips should be planned far enough in advance to assure purchase discounts.
2. **Lodging:** The KCATA has negotiated special rates at specific hotels. Contractors may stay at the hotel of their choice, but will be reimbursed no more than a maximum daily amount of \$160.00 plus tax unless the contractor obtains prior written authorization from KCATA.
3. **Meals:** The **actual costs** of meals, including tips of generally 15-17%, will be reimbursed up to a maximum of \$70 per person a day. Alcoholic beverages are **not** an eligible reimbursable expense.
4. **Auto Rental:** Rental or leased vehicles will not be reimbursed unless pre-approved in writing by KCATA in advance. The class of auto selected, if authorized, should be the lowest class appropriate for the intended use and number of occupants.
5. **Telephone:** Project-related, long-distance business calls will be reimbursed.
6. **Number of Trips to Travel Home on Weekends:** When extended stays in Kansas City are required, the KCATA will reimburse for trips home on weekends only every third weekend. In some instances, KCATA may require relocation of an employee to Kansas City.
7. **Taxis, Airport Shuttles, Public Transportation:** Transportation between the airport and hotel will be reimbursed. Contractors should consider the number in their party and compare taxi rates to airport shuttle fees when the shuttle serves the hotel.
8. **Personal Vehicle:** Mileage for usage of personal vehicles for business travel outside the seven-county Kansas City metropolitan area (Clay, Cass, Jackson and Platte Counties in Missouri; Johnson, Wyandotte and Douglas counties in Kansas) will be reimbursed at KCATA's current rate of \$0.54 per mile (based on the IRS current established rate).

**ATTACHMENT H
AFFIDAVIT OF PRIMARY PARTICIPANTS
COMPLIANCE WITH SECTION 285.500 RSMO, ET SEQ.
REGARDING EMPLOYEE ELIGIBILITY VERIFICATION**

STATE OF _____

COUNTY OF _____

On this _____ day of _____, 20____, before me appeared _____, personally known by me or otherwise proven to be the person whose name is subscribed on this affidavit and who, being duly sworn, stated as follows: I am the _____ (title) of _____ (business entity) and I am duly authorized, directed or empowered to act with full authority on behalf of the business entity in making this affidavit.

I hereby swear or affirm that the business entity does not knowingly employ any person in connection with the contracted services who does not have the legal right or authorization under federal law to work in the United States as defined in 8 U.S.C. §1324a(h)(3).

I hereby additionally swear or affirm that the business entity is enrolled in an electronic verification of work program operated by the United States Department of Homeland Security (E-Verify) or an equivalent federal work authorization program operated by the United States Department of Homeland Security to verify information of newly hired employees, under the Immigration Reform and Control Act of 1986, and that the business entity will participate in said program with respect to any person hired to perform any work in connection with the contracted services.

I have attached hereto documentation sufficient to establish the business entity's enrollment and participation in the required electronic verification of work program. I shall require that the language of this affidavit be included in the award documents for all sub-contracts exceeding \$5,000.00 at all tiers and that all subcontractors at all tiers shall affirm and provide documentation accordingly.

Affiant's signature

Subscribed and sworn to before me this _____ day of _____, 20____

Notary Public

My Commission expires:

NOTE: An example of acceptable documentation is the E-Verify Memorandum of Understanding (MOU) – a valid, completed copy of the first page identifying the business entity and a valid copy of the signature page completed and signed by the business entity, the Social Security Administration and the Department of Homeland Security.

**ATTACHMENT I
CERTIFICATION OF PRIMARY PARTICIPANT
REGARDING DEBARMENT, SUSPENSION, AND OTHER
RESPONSIBILITY MATTERS**

The Primary Participant (applicant for an FTA grant or cooperative agreement, or potential Contractor for a major third party contract), _____ certifies to the best of its knowledge and belief, that it and its principals:

1. Are not presently debarred, suspended, proposed for debarment, declared ineligible, or voluntarily excluded from covered transactions by any Federal department or agency;
2. Have not within a three-year period preceding this bid, been convicted of or had a civil judgment rendered against them for commission of fraud or a criminal offense in connection with obtaining, attempting to obtain, or performing a public (Federal, State or local) transaction or contract under a public transaction; violation of Federal or State antitrust statutes or commission of embezzlement, theft, forgery, bribery, falsification or destruction of records, making false statements, or receiving stolen property;
3. Are not presently indicted for or otherwise criminally or civilly charged by a governmental entity (Federal, State or local) with commission of any of the offenses enumerated in paragraph (2) of this certification; and
4. Have not within a three-year period preceding this application/bid had one or more public transactions (Federal, State or local) terminated for cause or default.

If the primary participant (applicant for FTA grant, or cooperative agreement, or potential third party Contractor) is unable to certify to any of the statements in this certification, the participant shall attach an explanation to this certification.

THE PRIMARY PARTICIPANT (APPLICANT FOR AN FTA GRANT OR COOPERATIVE AGREEMENT, OR POTENTIAL CONTRACTOR FOR A MAJOR THIRD PARTY CONTRACT), _____ CERTIFIES OR AFFIRMS THE TRUTHFULNESS AND ACCURACY OF THE CONTENTS OF THE STATEMENTS SUBMITTED ON OR WITH THIS CERTIFICATION AND UNDERSTANDS THAT THE PROVISIONS OF 31 U.S.C., SECTIONS 3801 ET SEQ. ARE APPLICABLE THERETO.

Signature and Title of Authorized Official

Date

**ATTACHMENT J
TERMS AND CONDITIONS**

ARTICLE 1: ACCEPTANCE OF MATERIALS – NO RELEASE

Acceptance of any portion of the products, equipment or materials prior to final acceptance shall not release the Contractor from liability for faulty workmanship or materials, or for failure to fully comply with all of the terms of this Contract. KCATA reserves the right and shall be at liberty to inspect all products, equipment or materials and workmanship at any time during the Contract term, and shall have the right to reject all materials and workmanship which do not conform with the conditions, Contract requirements or specifications; provided, however, that KCATA is under no duty to make such inspection, and Contractor shall (notwithstanding any such inspection) have a continuing obligation to furnish all products, services, equipment or materials and workmanship in accordance with the instructions, Contract requirements and specifications. Until delivery and acceptance, and after any rejections, risk of loss will be on the Contractor, unless loss results from negligence of KCATA.

ARTICLE 2: AGREEMENT IN ENTIRETY

This Contract represents the entire and integrated agreement between the parties and supersedes all prior negotiations, representations or agreements, either written or oral. This Contract may be amended only by written instrument signed by all parties.

ARTICLE 3: ASSIGNMENT

The Contractor shall not assign any interest in this Contract and shall not transfer any interest in the same (whether by assignment or novation), without the prior written consent of KCATA. In the event of KCATA's consent to assignment of this Contract, all of the terms, provisions and conditions of the Contract shall be binding upon and inure to the benefit of the parties and their respective successors, assigns and legal representative.

ARTICLE 4: BANKRUPTCY

In the event the Contractor enters into proceedings relating to bankruptcy, whether voluntary or involuntary, the Contractor agrees to furnish, by certified mail, written notification of the bankruptcy to the KCATA official identified in the "Notification and Communication" section. This notification shall be furnished within five (5) days of the initiation of the proceedings relating to bankruptcy filing. This notification shall include the date on which the bankruptcy petition was filed, the identity of the court in which the bankruptcy petition was filed, and a listing of KCATA Contract numbers against which final payment has not been made. This obligation remains in effect until final payment under this Contract.

ARTICLE 5: BREACH OF CONTRACT; REMEDIES

- A. If the Contractor shall fail, refuse or neglect to comply with any terms of this Contract, such failure shall be deemed a total breach of contract and the Contractor shall be subject to legal recourse by KCATA, plus costs resulting from failure to comply including the KCATA's reasonable attorney fees, whether or not suit be commenced.
- B. The duties and obligations imposed by this Contract and the rights and remedies available hereunder shall be in addition to and not a limitation of any duties, obligations, rights and remedies otherwise imposed or available by law or equity. No action or failure to act by KCATA shall constitute a waiver of any right or duty afforded under this Contract, nor shall any such action or failure to act constitute an approval of or acquiescence in any breach hereunder, except as may be specifically agreed in writing.

ARTICLE 6: CHANGES

KCATA may at any time, by a written order, and without notice to the Contractor, make changes within the general scope of this Contract. No such changes shall be made by the Contractor without prior written approval by KCATA. If any such change causes an increase or decrease in the Contract sum, or the time required for performance of this Contract, whether changed or not changed by such order, an equitable adjustment shall be made by written modification. Any Contractor's claim for adjustment under this clause must be asserted within 30 days from the date of receipt by the Contractor of the notification of change. Nothing in this clause shall excuse the Contractor from proceeding with this Contract as changed.

ARTICLE 7: CHANGES TO FEDERAL REQUIREMENTS

Contractor shall at all times be aware and comply with all applicable Federal Transit Administration regulations, policies, procedures and directives, including without limitation, those listed directly or by reference in the Agreement between the Authority and FTA (Master Agreement 22 dated October 1, 2015), as they may be amended or promulgated from time to time during the term of this Contract. Contractors' failure to so comply shall constitute a material breach of this Contract. Contractor agrees to include this clause in all subcontracts at any tier. It is further agreed that the clause shall not be modified, except to identify the subcontractors who will be subject to its provisions.

ARTICLE 8: CIVIL RIGHTS

- A. **Nondiscrimination.** In accordance with Title VI of the Civil Rights Act, as amended, 42 U.S.C. § 2000d, section 303 of the Age Discrimination Act of 1975, as amended, 42 U.S.C. § 6102, section 202 of the Americans with Disabilities Act of 1990, 42 U.S.C. § 12132, and Federal transit law at 49 U.S.C. § 5332, the Contractor agrees that it will not discriminate against any employee or applicant for employment because of race, color, creed, age, sex, sexual orientation, gender identity, national origin or disability. In addition, the Contractor agrees to comply with applicable Federal implementing regulations and other implementing regulations that the Federal Transit Administration (FTA) may issue.
- B. **Equal Employment Opportunity.** The following equal employment opportunity requirements apply to this Contract:
1. Race, Color, Creed, National Origin or Sex. In accordance with Title VII of the Civil Rights Act, as amended, 42 U.S.C. §2000e, *et seq.*, and Federal transit laws at 49 U.S.C. §5332, the Contractor agrees to comply with all applicable equal opportunity requirements of the U.S. Department of Labor (U.S. DOL) regulations, "Office of Federal Contract Compliance Programs, Equal Employment Opportunity, Department of Labor" 41 C.F.R. Parts 60 *et seq.*, (which implement Executive Order No. 11246, "Equal Employment Opportunity," as amended by Executive Order No. 11375, "Amending Executive Order 11246 Relating to Equal Employment Opportunity," 42 U.S.C. 2000e note), and with any applicable Federal statutes, executive orders, regulations, and Federal policies that may in the future affect construction activities undertaken in the course of the Contract. The Contractor agrees to take affirmative action to ensure that applicants are employed, and that employees are treated during employment without regard to their race, color, creed, age, sex, sexual orientation, gender identity or national origin. Such action shall include, but not be limited to, the following: employment, upgrading, demotion or transfer, recruitment or recruitment advertising, layoff or termination; rates of pay or other forms of compensation; and selection for training, including apprenticeship. In addition, the Contractor agrees to comply with any implementing requirements FTA may issue.
 2. Age. In accordance with Section 4 of the Age Discrimination in Employment Act of 1967, as amended, 29 U.S.C. § 623 and Federal transit law at 49 U.S.C. §5332, the Contractor agrees to refrain from discrimination

against present and prospective employees for reason of age. In addition, the Contractor agrees to comply with any implementing requirements FTA may issue.

3. **Disabilities.** In accordance with section 102 of the Americans with Disabilities Act, as amended, 42 U.S.C. §12112, the Contractor agrees that it will comply with the requirements of U.S. Equal Employment Opportunity Commission, "Regulations to Implement the Equal Employment Provisions of the Americans with Disabilities Act," 29 C.F.R. Part 1630, pertaining to employment of persons with disabilities. In addition, the Contractor agrees to comply with any implementing requirements FTA may issue.

C. **ADA Access Requirements.** In accordance with section 102 of the Americans with Disabilities Act, as amended, 42 U.S.C. § 12112 and section 504 of the Rehabilitation Act of 1973, as amended, 29 U.S.C. § 794, the Contractor agrees that it will comply with the requirements of U.S. Department of Transportation regulations, "Transportation Services for Individuals with Disabilities (ADA)," 49 CFR Part 37; and U.S. Department of Transportation regulations, "Americans with Disabilities Accessibility Specifications for Transportation Vehicles," 36 CFR Part 1192 and 49 CFR Part 38, pertaining to facilities and equipment to be used in public transportation. In addition, the Contractor agrees to comply with the requirements of 49 U.S.C. § 5301 (d) which expresses the Federal policy that the elderly and persons with disabilities have the same right as other persons to use mass transportation services and facilities, and that special efforts shall be made in planning and designing those services and facilities to implement transportation accessibility rights for elderly persons and persons with disabilities. Contractor also agrees to comply with any implementing requirements FTA may issue.

D. Contractor understands that it is required to include this Article in all subcontracts. Failure by the Contractor to carry out these requirements or to include these requirements in any subcontract is a material breach of this Contract, which may result in the termination of this Contract or such other remedy as the KCATA deems appropriate, including but not limited to withholding monthly progress payments and/or disqualifying the Contractor from future bidding as non-responsible.

ARTICLE 9: CONFLICTS OF INTEREST (ORGANIZATIONAL)

The Contractor certifies that it has no other activities or relationships that would make the Contractor unable, or potentially unable, to render impartial assistance or advice to KCATA, or that would impair the Contractor's objectivity in performing work under this Contract, or that would result in an unfair competitive advantage to Contractor or to another third party performing the Project work.

ARTICLE 10: CONTRACTOR'S PERSONNEL

All of the services required hereunder shall be performed by the Contractor or under its supervision and all personnel engaged in the services shall be fully qualified and authorized under state and local law to perform such services. Any change in the key personnel, as described in the contractor's proposal, shall be subject to the written approval of KCATA; such approval shall not be unreasonably withheld. The parties agree that at all times during the entire term of this Contract that the persons listed in Contractor's proposal shall serve as the primary staff person(s) of Contractor to undertake, render and oversee all of the services of this Contract subject to KCATA's right to remove personnel. KCATA reserves the right to require the Contractor to remove any personnel and or subcontractors for any cause provided such request for removal shall be documented in writing to Consultant.

ARTICLE 11: CONTRACTOR'S RESPONSIBILITY

No advantage shall be taken by the Contractor or its subcontractor of the omission of any part or detail which goes to make the equipment complete and operable for use by KCATA. In case of any variance, this specification shall take precedence over Contractor's or subcontractor's own specifications. The Contractor shall assume responsibility for all

materials and services used whether the same is manufactured by the Contractor or purchased ready made from a source outside the Contractor's company.

ARTICLE 12: DEBARMENT AND SUSPENSION CERTIFICATION

- A. The Contractor, its principals and any affiliates, shall certify that it is not included in the "U.S. General Services Administration's List of Parties Excluded from Federal Procurement or Non-procurement Programs," as defined at 49 CFR Part 29, Subpart C.
- B. The Contractor agrees to refrain from awarding any subcontract of any amount (at any tier) to a debarred or suspended subcontractor, and to obtain a similar certification from any subcontractor (at any tier) seeking a contract exceeding \$25,000.
- C. The Contractor agrees to provide KCATA a copy of each conditioned debarment or suspension certification provided by a prospective subcontractor at any tier, and to refrain from awarding a subcontract with any party that has submitted a conditioned debarment or suspension certification until FTA approval is obtained.

ARTICLE 13: DELIVERY

Materials and/or equipment shall be delivered to Kansas City Area Transportation Authority, Central Receiving Facility, Building #1, 1350 East 17th Street, Kansas City, Missouri, 64108. KCATA will assume custody of property at other locations, if so directed in writing by KCATA. Packing slips shall be furnished with the delivery of each shipment. KCATA reserves the right to inspect all deliveries or services before acceptance. All external components shall be wrapped for protection against damage during shipping and handling. Each specified unit shall be delivered to KCATA in first class condition and the Contractor shall assume all responsibility and liability for said delivery. KCATA reserves the right to extend delivery or installation, postpone delivery or installation, or reschedule delivery or installation in case the delivery or installation of service equipment under this Agreement shall be necessarily delayed because of strike, injunction, civil disturbance, government controls, or by reason of any cause of circumstance beyond the control of the Contractor, as detailed in writing by the Contractor. The time of completion of a delivery or installation shall be extended by a number of days to be determined in each instance by KCATA.

ARTICLE 14: DISADVANTAGED BUSINESS ENTERPRISE (DBE)

- A. This Contract is subject to the requirements of Title 49, Code of Federal Regulations, Part 26, Participation by Disadvantaged Business Enterprises in Department of Transportation Financial Assistance Programs. The national goal for participation of Disadvantaged Business Enterprises (DBE's) is 10 percent. *KCATA's overall goal for DBE participation is 8.5 percent. A separate contract goal has not been established for this procurement.*
- B. Contractors shall not discriminate on the basis of race, color, creed, sex, sexual orientation, gender identity, national origin, disability or age in the performance of this Contract. The Contractor shall carry out applicable requirements of 49 CFR Part 26 in the award and administration of this DOT-assisted contract. Failure by the Contractor to carry out these requirements is a material breach of this Contract, which may result in the termination of this Contract or such other remedy as KCATA deems appropriate. Each subcontract the Contractor signs with a subcontractor must include the assurance in this paragraph (see 49 C.F.R. 26.13(b)). The Contractor may not substitute, remove or terminate a DBE subcontractor without KCATA's prior written consent. Written consent of termination may only be given if the Contractor has demonstrated good cause. Before submitting its request to terminate or substitute a DBE subcontractor, the Prime Contractor must give notice in writing to the DBE subcontractor, with a copy to KCATA, of its intent to request to terminate and/or substitute, and the reason for the request. The Contractor must give the DBE five days to respond to the Contractor's notice and advise KCATA and the Contractor of the reasons, if any, why it objects to the proposed

termination of its subcontract and why KCATA should not approve the Contractor's action. If required in a particular case as a matter of public necessity (e.g., safety), the response period may be shortened.

C. **Good Cause.** Good cause includes the following circumstances:

1. The listed DBE subcontractor fails or refuses to execute a written contract; or
2. The listed DBE subcontractor fails or refuses to perform the work of its normal industry standards. Provided, however, that the good cause does not exist if the failure or refusal of the DBE subcontractor to perform its work on the subcontract results from the bad faith or discriminatory action of the Prime Contractor; or
3. The listed DBE subcontractor fails or refuses to meet the Prime Contractor's reasonable, nondiscriminatory bond requirements; or
4. The listed DBE subcontractor becomes bankrupt, insolvent, or exhibits credit unworthiness; or
5. The listed DBE subcontractor is ineligible to work on public works projects because of suspension and debarment proceedings pursuant to 2 CFR Parts 180, 215 and 1200 or applicable state law; or
6. The DBE subcontractor is not a responsible contractor; or
7. The listed DBE subcontractor voluntarily withdraws from the project and provides the Prime Contractor written notice of its withdrawal;
8. The listed DBE is ineligible to receive DBE credit for the type of work required;
9. A DBE owner dies or becomes disabled with the result that the listed DBE contractor is unable to complete its work on the contract;
10. Other documented good cause that compels KCATA to terminate the DBE subcontractor. Provided the good cause does not exist if the Prime contractor seeks to terminate a DBE it relied upon to obtain the contract so that the Prime Contractor can self-perform the work for which the DBE contractor was engaged or so that the Prime Contractor can substitute another DBE or non-DBE contractor.

D. Before submitting its request to terminate or substitute a DBE subcontractor, the Prime Contractor must give notice in writing to the DBE subcontractor, with a copy to KCATA, of its intent to request to terminate and/or substitute, and the reason for the request. The Prime Contractor must give the DBE five days to respond to the Prime Contractor's notice and advise the KCATA and the Contractor of the reasons, if any, why it objects to the proposed termination of its subcontract and why KCATA should not approve the Prime Contractor's action. If required in a particular case as a matter of public necessity (e.g., safety), the response period may be shortened.

ARTICLE 15: DISCLAIMER OF FEDERAL GOVERNMENT OBLIGATION OR LIABILITY

The Contractor, and any subcontractors acknowledge and agree that, notwithstanding any concurrence by the Federal Government in or approval of the solicitation or award of this contract, absent the express written consent by the Federal Government, the Federal Government is not a party to this contract and shall not be subject to any obligations or liabilities to the Contractor, or any other party (whether or not a party to this Contract) pertaining to any matter resulting from this Contract. It is further agreed that the clause shall be included in each subcontract and shall not be modified, except to identify the subcontractor who will be subject to its provision.

ARTICLE 16: DISPUTE RESOLUTION

- A. Except as otherwise provided in this Contract, any dispute concerning a question of fact arising under this Contract which is not disposed of by agreement shall be decided by KCATA's Senior Manager of Procurement, who shall reduce the decision to writing and mail or otherwise furnish a copy to the Contractor. The decision of the Senior Manager of Procurement shall be final and conclusive unless within ten (10) days from the date of receipt of such copy the Contractor mails or otherwise furnishes a written appeal addressed to the Chief Executive Officer, with a copy to the Chief Operations Officer and the Senior Manager of Procurement. The determination of such appeal by the Chief Operations Officer shall be final and conclusive unless determined by a court of competent jurisdiction to have been fraudulent or capricious, arbitrary, or not supported by substantial evidence. In connection with any appeal proceeding under this clause the Contractor shall be afforded an opportunity to be heard and to offer evidence in support of its appeal. Pending final decision of a dispute hereunder, and unless otherwise directed in writing by KCATA, the Contractor shall proceed diligently with performance in accordance with the Senior Manager of Procurement's decision.
- B. The duties and obligations imposed by the Contract and the rights and remedies available hereunder shall be in addition to and not a limitation of any duties, obligations, rights and remedies otherwise imposed or available by law. No action or failure to act by the KCATA or Contractor shall constitute a waiver of any right or duty afforded any of them under the Contract, nor shall any such action or failure to act constitute an approval of or acquiescence in any breach thereunder, except as may be specifically agreed in writing.

ARTICLE 17: EMPLOYEE ELIGIBILITY VERIFICATION

- A. To comply with Section 285.500 RSMo, *et seq.*, the Contractor is required by sworn affidavit and provision of documentation, to affirm its enrollment and participation in a federal work authorization program with respect to the employees working in connection with the contracted services. The Contractor shall also affirm that it does not knowingly employ any person in connection with the contracted services who does not have the legal right or authorization under federal law to work in the United States as defined in 8 U.S.C. §1324a(h)(3). The Contractor is required to obtain the same affirmation from all subcontractors at all tiers with contracts exceeding \$5,000.
- B. A federal work authorization program is any of the electronic verification of work authorization programs operated by the United States Department of Homeland Security (E-Verify) or an equivalent federal work authorization program operated by the United States Department of Homeland Security to verify information of newly hired employees, under the Immigration Reform and control Act of 1986 (IRCA), P.L.99-603.

ARTICLE 18: EMPLOYEE PROTECTIONS

A. CONSTRUCTION EMPLOYEE PROTECTIONS

- 1. **Davis-Bacon and Copeland Anti-Kickback Standards Acts**
- 2. The Contractor agrees to comply and assures compliance with the requirements of 40 U.S.C. 3141, *et seq.* and 18 U.S.C 874 and implementing U.S. Department of Labor regulations, "Labor Standards Provisions Applicable to Contracts Governing Federally Financed and Assisted Construction (also Labor Standards Provisions Applicable to Non-Construction Contracts Subject to the Contract Work Hours and Safety Standards Act," 29 C.F.R. Part 5).
- 3. Contractor shall comply with all rulings and interpretations of the Davis-Bacon and Related Acts contained in 29 CFR Parts 1, 3, and 5 which are incorporated by reference in this Contract.

4. The Contractor agrees to pay wages to laborers and mechanics performing Contract work at a rate not less than the minimum wages specified in a wage determination issued by the U.S. Secretary of Labor and not less often than once a week, and without subsequent deduction or rebate on any account (except such payroll deductions as are permitted by regulations issued by the Secretary of Labor under the Copeland Act (29 C.F.R. Part 3)). The Contractor agrees to place a copy of the current prevailing wage determination issued by the U.S. DOL in each solicitation for subcontractor work under this project, and agrees to refrain from awarding any affected contracts until the subcontractor agrees to the required wage determination.
5. The KCATA shall upon its own action or upon written request of an authorized representative of the Department of Labor withhold or cause to be withheld from the contractor under this Contract or any other Federal contract with the same prime contractor, or any other federally-assisted contract subject to Davis-Bacon prevailing wage requirements, which is held by the same prime contractor, so much of the accrued payments or advances as may be considered necessary to pay laborers and mechanics, including apprentices, trainees, and helpers, employed by the contractor or any subcontractor the full amount of wages required by the contract. In the event of failure to pay any laborer or mechanic, including any apprentice, trainee, or helper, employed or working on the site of the work (or under the United States Housing Act of 1937 or under the Housing Act of 1949 in the construction or development of the project), all or part of the wages required by the contract, the KCATA may, after written notice to the contractor, sponsor, applicant, or owner, take such action as may be necessary to cause the suspension of any further payment, advance, or guarantee of funds until such violations have ceased.
6. Payrolls and basic records relating thereto shall be maintained by the contractor during the course of the work and preserved for a period of three years thereafter for all laborers and mechanics working at the site of the work. The payrolls submitted shall set out accurately and completely all of the information required to be maintained under Section 5.5(a)(3)(i) of the Regulations, 29 C.F.R. Part 5. The prime Contractor is responsible for the submission of copies of payrolls by all subcontractors.
7. Contractors employing apprentices or trainees under approved programs shall maintain written evidence of the registration of apprenticeship programs and certification of trainee programs, the registration of the apprentices and trainees, and the ratios and wage rates prescribed in the applicable programs.
 - a. Apprentices. Apprentices will be permitted to work at less than the predetermined rate for the work they performed when they are employed pursuant to and individually registered in a bona fide apprenticeship program registered with the U.S. Department of Labor, Employment and Training Administration, Bureau of Apprenticeship and Training, or with a state apprenticeship agency recognized by the Bureau, or if a person is employed in his or her first 90 days of probationary employment as an apprentice in such an apprenticeship program, who is not individually registered in the program, but who has been certified by the Bureau of Apprenticeship and Training or a state apprenticeship agency (where appropriate) to be eligible for probationary employment as an apprentice.
 - b. Trainees. Except as provided in 29 CFR 5.16, trainees will not be permitted to work at less than the predetermined rate for the work performed unless they are employed pursuant to and individually registered in a program which has received prior approval, evidenced by formal certification by the U.S. Department of Labor, Employment and Training Administration. The ratio of trainees to journeymen on the job site shall not be greater than permitted under the plan approved by the Employment and Training Administration. Every trainee must be paid at not less than the rate specified in the approved program for the trainee's level of progress, expressed as a percentage of the journeyman hourly rate specified in the applicable wage determination.

8. The Contractor must submit a copy of all payrolls each week to KCATA's project manager. The copy is to be accompanied by a statement signed by the Contractor indicating that the payrolls are correct and complete, and that the wage rates contained therein are not less than those determined by the Secretary of Labor. Upon completion of the Contract, the Contractor is to submit to KCATA's project manager, a certificate concerning wages and classifications for laborers and mechanics.
9. Subcontracts. The Contractor or subcontractor shall insert in any subcontracts the clauses contained in 29 CFR 5.5(a)(1) through (10) and such other clauses as the Federal Transit Administration may by appropriate instructions require, and also a clause requiring the subcontractors to include these clauses in any lower tier subcontracts. The prime Contractor shall be responsible for the compliance by any subcontractor or lower tier subcontractor with all the contract clauses in 29 CFR 5.5.
10. Contract Termination: Debarment. A breach of the clauses in 29 CFR 5.5 may be grounds for termination of the Contract, and for debarment as a contractor and a subcontractor as provided in 29 CFR 5.12.
11. Disputes concerning labor standards. Disputes arising out of the labor standards provisions of this Contract shall not be subject to the general disputes clause of this Contract. Such disputes shall be resolved in accordance with the procedures of the Department of Labor set forth in 29 CFR parts 5, 6, and 7. Disputes within the meaning of this clause include disputes between the Contractor (or any of its subcontractors) and the contracting agency, the U.S. Department of Labor, or the employees or their representatives.
12. Certification of Eligibility.
 - a. By entering into this Contract, the Contractor certifies that neither it (nor he or she) nor any person or firm who has an interest in the Contractor's firm is a person or firm ineligible to be awarded Government contracts by virtue of section 3(a) of the Davis-Bacon Act or 29 CFR 5.12(a)(1).
 - b. No part of this Contract shall be subcontracted to any person or firm ineligible for award of a Government contract by virtue of section 3(a) of the Davis-Bacon Act or 29 CFR 5.12(a)(1).

The penalty for making false statements is prescribed in the U.S. Criminal Code, 18 U.S.C. 1001.

ARTICLE 19: ENVIRONMENTAL REGULATIONS

- A. **Energy Conservation.** The Contractor agrees to comply with mandatory standards and policies relating to energy efficiency, which are contained in the state energy conservation plan issued in compliance with the Energy Policy and Conservation Act. The Contractor agrees to include the requirements of this clause in all subcontracts under this Contract.
- B. **Recovered Materials/Recycled Products.** To the extent practicable and economically feasible, the Contractor agrees to provide a competitive preference for products and services that conserve natural resources and protect the environment and are energy efficient. Examples of such products may include, but are not limited to products described in U.S. Environmental Protection Agency guidelines at 40 CFR Part 247, which implements Section 6002 of the Resource Conservation and Recovery Act, as amended (42 U.S.C. 6962), and Executive Order 12873. The Contractor also agrees to include these requirements in each subcontract at every tier receiving more than \$10,000.

ARTICLE 20: FRAUD AND FALSE OR FRAUDULENT STATEMENTS OR RELATED ACTS

- A. The Contractor acknowledges that the provisions of the Program Fraud Civil Remedies Act of 1986, as amended, 31 U.S.C. § 3801 *et seq.* and U.S DOT regulations, "Program Fraud Civil Remedies," 49 CFR Part 31, apply to its

actions pertaining to the Project. Upon execution of the Contract, the Contractor certifies and affirms the truthfulness and accuracy of any statement it has made, it makes, or may make pertaining to the project covered under this Contract. In addition to other penalties that may be applicable, the Contractor further acknowledges that if it makes a false, fictitious, or fraudulent claim, statement, submission, or certification, the Federal Government reserves the right to impose the penalties of the Program Fraud Civil Remedies Act of 1986 on the Contractor to the extent the Federal Government deems appropriate.

- B. The Contractor also acknowledges that if it makes, or causes to be made, a false, fictitious, or fraudulent claim, statement, submission, or certification to the Federal Government in connection with this Contract, the Government reserves the right to impose on the Contractor the penalties of 18 U.S.C. § 1001 and 49 U.S.C. § 5307(n)(1), to the extent the Federal Government deems appropriate.
- C. The Contractor agrees to include these clauses in each subcontract, and it is further agreed that the clauses shall not be modified, except to identify the subcontractor who will be subject to the provisions.

ARTICLE 21: GOVERNING LAW; CHOICE OF JUDICIAL FORUM

This Contract shall be deemed to have been made in, and be construed in accordance with, the laws of the State of Missouri. Any action of law, suit in equity, or other judicial proceeding to enforce or construe this Contract, respecting its alleged breach, shall be instituted only in the Circuit Court of Jackson County, Missouri.

ARTICLE 22: HEADINGS

The headings included in this Contract are inserted only as a matter of convenience and for reference, and in no way define, limit or describe the scope of intent of any provision, and shall not be construed to affect, in any manner, the terms and provisions hereof of the interpretation or construction thereof.

ARTICLE 23: INCORPORATION OF FEDERAL TRANSIT ADMINISTRATION TERMS

The provisions in this Contract include certain standard terms and conditions required by the U.S. Department of Transportation (DOT), whether or not expressly set forth. All contractual provisions required by DOT, as set forth in FTA Circular 4220.1F or any revision thereto, are hereby incorporated by reference. Anything to the contrary herein notwithstanding, all FTA mandated terms shall be deemed to control in the event of a conflict with other provisions contained in the Contract. Contractor shall not perform any act, fail to perform any act, or refuse to comply with any KCATA requests that would cause KCATA to be in violation of the FTA terms and conditions. The Contractor agrees to include this clause in all subcontracts at any tier. It is further agreed that the clause shall not be modified, except to identify the subcontractors who will be subject to the provision.

ARTICLE 24: INDEPENDENT CONTRACTOR

- A. The parties agree that the Contractor is an independent contractor under this Contract. Under no circumstance shall the Contractor be considered an agent, employee or representative of KCATA and KCATA shall not be liable for any claims, losses, damages, or liabilities of any kind resulting from any action taken or failed to be taken by the Contractor.
- B. The Contractor shall furnish adequate supervision, labor, materials, supplies, security, financial resources and equipment necessary to perform all the services contemplated under this Contract in an orderly, timely, and efficient manner.

ARTICLE 25: INSPECTION OF SERVICES

- A. The Contractor shall provide and maintain an inspection system acceptable to the Authority covering the services provided in the performance of the Contract. "Services" as used in this clause, includes services performed, quality of the work, and materials furnished or used in the performance of services.
- B. The Contractor shall provide and maintain an inspection system acceptable to the Authority covering the project. Complete records of all inspection work performed by the Contractor shall be maintained and made available to the Authority during contract performance and for as long afterwards and the Contract requires.
- C. The Authority has the right to inspect and test all services called for by this Contract to the extent practicable at all times and places during the term of the Contract. The Authority shall perform inspection and tests in a manner that will not unduly delay the work.
- D. If any of the services performed do not conform to Contract requirements, the Authority may require the contractor to perform the services again in conformity with Contract requirements for no additional fee. When the defects in performance cannot be corrected by re-performance, the Authority may:
 - 1. Require the Contractor to take necessary action to ensure that future performance conforms to Contract requirements; or
 - 2. Reduce the Contract Sum accordingly.
- E. If the Contractor fails to promptly perform the services again or to take the necessary action to ensure future performance in conformity with contract requirements, the Authority may:
 - 1. By contract or otherwise, perform the services and charge to the Contractor any cost incurred by the Authority that is directly related to the performance of the work; or
 - 2. Terminate the Contract for default.

ARTICLE 26: INSTALLATION

If specified, the Contractor shall install and place in operation, subject to approval of KCATA, the equipment, at the Contractor's expense, within thirty (30) days from issuance of a notice to install issued by KCATA. If required, the Contractor shall assemble the equipment as part of the installation.

ARTICLE 27: INSURANCE

- A. The insurance required in this Contract shall be written for not less than any limits of liability required by law or by those set forth below, whichever is greater, and shall include blanket contractual liability insurance as applicable to the Contractor's obligations under the Liability and Indemnification section below. All policies, except Professional Liability policies, shall name KCATA, its commissioners, officers, and employees as additional insureds. Explosion, collapse and underground coverage shall not be excluded. The insurance should be written with companies acceptable to KCATA and the companies should have a minimum A.M. Best's insurance rating of A-(VIII). An exception to the minimum A.M. Best rating is granted for Workers Compensation exposures insured through the Builders' Association of Self Insurance Fund (BASIF) or Missouri Employers' Mutual Insurance Company.
- B. The Contractor shall be required to furnish to KCATA copies of required insurance policies and relevant additional insured endorsements of insurance. If copies of the required insurance policies or endorsements are not available,

the Contractor shall be required to furnish certificates of insurance prior to execution of the Contract, and thereafter furnish copies of the policies and additional insured endorsements, from time to time, whenever reasonably requested by KCATA. The certificates (with the exception of Professional Liability and Workers Compensation coverage) shall specifically state that:

1. Contractual liability coverage is applicable; and
 2. The Kansas City Area Transportation Authority, its commissioners, officers and employees are named as additional insureds (Named Insureds) on the policies covered by the certificate; using this specific wording: **Kansas City Area Transportation Authority, its commissioners, officers, and employees are named as additional insureds as respects general liability and where required by written contract. Any coverage afforded the certificate holder as an additional insured shall apply as primary and not excess or contributing to any insurance or self-insurance in the name of the certificate holder, and shall include a waiver of subrogation.**
- C. Further, from time to time and whenever reasonably requested by KCATA, the Contractor shall represent and warrant to KCATA (1) the extent to which the insurance limits identified below have been, or may be, eroded due to paid or pending claims under the policies; and (2) the identity of other entities or individuals covered as an additional insured on the policies. Further, the Contractor shall confirm that the insurers' obligation to pay defense costs under the policies is in addition to, and not part of the liability limits stated in the policies.
- D. All such insurance, with the exception of Professional Liability coverage, shall contain endorsements that the policies may not be canceled or amended or allowed to lapse by the insurers with respect to KCATA its commissioners, officers and employers by the insurance company without thirty (30) days prior notice by certified mail to KCATA in addition to the Named Insured (s) and that denial of coverage or voiding of the policy for failure of Contractor to comply with its terms shall not affect the interest of KCATA, its commissioners, officers and employees thereunder.
- E. The requirements for insurance coverage are separate and independent of any other provision hereunder.
1. **Worker's Compensation:**
 - a) State: Missouri and/or Kansas – Statutory
 - b) Employer's Liability: Bodily Injury by Accident -- \$500,000 Each Accident
Bodily Injury by Disease -- \$500,000 Each Employee
Bodily Injury by Disease -- \$500,000 Policy Limit

The Contractor and any subcontractor shall maintain adequate workers' compensation insurance as required by law to cover all employees during performance of services, or during delivery, installation, assembly or related services in conjunction with this Agreement.

2. **Commercial General Liability:**

Bodily Injury and Property Damage to include Products and Completed Operations:

- \$1,000,000 Each Occurrence
- \$2,000,000 General Aggregate (per project)
- \$1,000,000 Personal and Advertising Injury
- \$50,000 Fire Damage
- \$5,000 Medical Expenses
- 2 Years (Completed Operations)

Contractor shall procure and maintain at all times during the term of the KCATA purchase order or the Contract commercial general liability insurance for liability arising out of the operations of the Contractor and any subcontractors. The policy(ies) shall include coverage for the Contractor's and subcontractors' products and completed operations for at least two (2) years following project completion, or as otherwise noted. The policy(ies) shall name as an additional insured, in connection with Contractor's activities, the KCATA, its commissioners, officers, and employees. Using ISO Form CG 20 10 11 85 (or OCG20 26 0704 in the case of a Blanket Endorsement), or such other additional insured forms acceptable to KCATA. The Insurer(s) shall agree that its policy(ies) is primary insurance and that it shall be liable for the full amount of any loss up to and including the total limit of liability without right of contribution from any other insurance or self-insurance KCATA may have.

3. Auto Liability:

Bodily Injury and Property Damage: \$1,000,000 Combined Single Limit

The policy(ies) shall include automobile liability coverage for all vehicles, licensed or unlicensed, on or off the KCATA premises, whether the vehicles are owned, hired or non-owned, covering use by or on behalf of the Contractor and any subcontractors during the performance of work under this Contract.

4. Umbrella or Excess Liability

Umbrella or Excess Liability Limit: \$1,000,000 Each Occurrence
\$1,000,000 Aggregate (per project)

Where applicable, the Contractor shall obtain and keep in effect during the term of the contract, Umbrella or Excess Liability Insurance covering their liability over the limit for primary general liability, automobile liability, and employer's liability.

ARTICLE 28: LIABILITY AND INDEMNIFICATION

- A. **Contractor's Liability.** Contractor shall be liable for all damages to persons (including employees of Contractor) or property of any type that may occur as a result of any act or omission by Contractor, any subcontractors, or sub-subcontractor, their respective agents or anyone directly employed by any of them or anyone for whose acts any of them may be liable or arising out of any product provided or services rendered under this Agreement.
- B. **Subrogation.** Contractor, its agents and any subcontractor hereby waive and relinquish any right of subrogation or claim against KCATA, its commissioners, senior leaders and employees arising out of the use of KCATA's premises (including any equipment) by any party in performance of this Agreement.
- C. **Indemnification.**
 - 1. To the fullest extent permitted by law, Contractor agrees to and shall indemnify, defend and hold harmless KCATA, its Commissioners, officers and employees from and against any and all claims, losses, damages, causes of action, suits, liens and liability of every kind, (including all expenses of litigation, expert witness fees, court costs and attorney's fees whether or not suit be commenced) by or to any person or entity (collectively the "Liabilities") arising out of, caused by, or resulting from the acts or omissions of Contractor, subcontractors, or sub-subcontractors, their respective agents or anyone directly or indirectly employed by any of them in performing work under this Contract, and provided such claim is attributable to bodily injury, sickness, disease or death of any person, or injury to or destruction of property, including consequential damages, regardless of whether or not such claim, damage, loss or expense is caused in part by a party indemnified hereunder, so long as such Liabilities are not caused by the sole negligence or willful misconduct

of a party indemnified hereunder. Such obligation shall not be construed to negate, abridge or otherwise reduce other rights or obligations of indemnity which would otherwise exist as to a party or person described in this paragraph.

2. In claims against any person or entity indemnified under this section, by an employee or Contractor, subcontractor or sub-subcontractor or anyone directly or indirectly employed by any of them, the indemnification obligation shall not be limited by a limitation on the amount or type of damages, compensation or benefits payable by or for the Contractor, subcontractor, or sub-subcontractor under worker's compensation acts, disability benefit acts or other employee benefit acts. If any action at law or suit in equity is instituted by any third party against Contractor arising out of or resulting from the acts of Contractor in performing work under this Contract, Contractor shall promptly notify KCATA of such suit.
3. If any action at law or suit in equity is instituted by any third party against KCATA or its commissioners, officers or employees arising out of or resulting from the acts of Contractor, a subcontractor or sub-subcontractor, their respective agents or anyone directly or indirectly employed by any of them in providing products, equipment or materials, or in performing work or services under this Contract, and if Contractor has failed to provide insurance coverage to KCATA against such action as required herein or otherwise refuses to defend such action, KCATA shall have the right to conduct and control, through counsel of its choosing, the defense of any third party claim, action or suit, and may compromise or settle the same, provided that KCATA shall give the Contractor advance notice of any proposed compromise or settlement.
4. KCATA shall permit Contractor to participate in the defense of any such action or suit through counsel chosen by the Contractor, provided that all fees and expenses of such counsel shall be borne by Contractor. If KCATA permits Contractor to undertake, conduct and control the conduct and settlement of such action or suit, Contractor shall not consent to any settlement that does not include as an unconditional term thereof the giving of a complete release from liability with respect to such action or suit to KCATA. Contractor shall promptly reimburse KCATA for the full amount of any damages, including fees and expenses of counsel for KCATA, incurred in connection with any such action.

ARTICLE 29: LICENSING, LAWS AND REGULATIONS

- A. The Contractor shall, without additional expense to KCATA, be responsible for obtaining any necessary licenses and permits, and for complying with all federal, state, and municipal laws, codes, and regulations applicable to the providing of products, equipment or materials, or the performance of the Services, under this Contract.
- B. The Contractor shall comply with all applicable and current rules, regulations and ordinances of any applicable federal, state, county or municipal governmental body or authority, including but not limited to those as set forth by the Environmental Protection Agency, the Missouri Department of Natural Resources, the Kansas Department of Health and Environmental, the FTA, the Department of Transportation, and the City of Kansas City, Missouri.

ARTICLE 30: NATIONAL INTELLIGENT TRANSPORTATION SYSTEM ARCHITECTURE AND STANDARDS

The contractor agrees to conform, to the extent applicable, to the National Intelligent Transportation Systems (ITS) Architecture and Standards as required by SAFETEA-LU § 5307 ©, 23 U.S.C. § 512 note, and Contractor agrees to apply with FTA Notice, "FTA National ITS Architecture Policy on Transit Projects" 66 *Fed. Reg.* 1455, January 8, 2001, and any further implementing directives, except to the extent FTA determines otherwise in writing.

ARTICLE 31: NOTIFICATION AND COMMUNICATION

Communications regarding technical issues and activities of the project shall be exchanged with KCATA’s Sr. Buyer, Jessica Johnson at (816) 346-0248 or via e-mail at jjohnson@kcata.org.

Issues regarding the contract document, changes, amendments, etc. are the responsibility of KCATA’s Procurement Department. All notices and communications on all matters regarding this Contract may be given by delivery or mailing the same postage prepaid, addressed to the following:

If to KCATA: Jessica Johnson, Senior Buyer
 Kansas City Area Transportation Authority
 1350 East 17th Street
 Kansas City, MO 64108

If to Contractor: _____

The Contractor shall notify KCATA immediately when a change in ownership has occurred, or is certain to occur.

The addresses to which notices may be made may be changed from time to time by notice mailed as described above. Any notice given by mail shall be deemed given on the day after that on which it is deposited in the United States Mail as provided above.

ARTICLE 32: OWNERSHIP, IDENTIFICATION, AND CONFIDENTIALITY OF WORK

- A. All reports, programs, documentation, designs, drawings, plans, specifications, schedules and other materials prepared, or in the process of being prepared, for the services to be performed by Contractor shall be and are the property of KCATA, and shall be identified in an appropriate manner by a title containing KCATA’s name and address.
- B. KCATA shall be entitled to and copies of these materials during the progress of the work.
- C. Any such material remaining in the possession of the Contractor or in the possession of a subcontractor upon completion or termination of the work, and for which KCATA has reimbursed the contractor, shall be immediately delivered to KCATA. If any materials are lost, damaged or destroyed before final delivery to KCATA, the Contractor shall replace them at its own expense, and the Contractor assumes all risks of loss, damage or destruction of or to such material
- D. The Contractor may retain a copy of all materials produced under this Contract for its own internal use.
- E. Any KCATA materials to which the Contractor has access or materials prepared by the Contractor shall be held in confidence by the Contractor, who shall exercise all reasonable precautions to prevent the disclosure of confidential information to anyone except the officers, employees and agents of the Contractor as necessary to accomplish the work set forth in this agreement.
- F. Access to copies of any reports, information, data, etc., available to or prepared or assembled by the Contractor under this Contract shall not be made available to any third party by the Contractor without the prior written consent of KCATA.

- G. Each tangible product resulting from work performed under this Contract shall be labeled with information stating that the project has been financed with Federal assistance provided by the U.S. Department of Transportation, Federal Transit Administration.

ARTICLE 33: PROHIBITED INTERESTS

- A. No board member, officer, employee or agent of KCATA or of a local public body who has participated or will participate in the selection, award, or administration of this Contract, nor any member of his or her immediate family, business partner or any organization which employs, or intends to employ any of the above during such period, shall have any interest, direct or indirect, in this Contract or the proceeds thereof, to any share or part of this Contract, or to any benefit arising there from. This shall not be construed to prevent any such person from owning stock in a publicly owned corporation.
- B. No member of, or delegates to, the Congress of the United States shall be admitted to any share or part of the Contract, or to any benefit arising there from. This shall not be construed to prevent any such person from owning stock in a publicly-owned corporation.

ARTICLE 34: PROHIBITED WEAPONS AND MATERIALS

- A. Missouri Revised Statutes, Section 571.107 (R.S.Mo. §571.107) allows government units and businesses to prohibit persons holding a concealed carry endorsement from carrying concealed firearms on its premises. Accordingly, KCATA has adopted the following rules prohibiting weapons, whether concealed or not, and whether or not the individual carrying the weapon has an endorsement or permit to carry.
- B. No weapon, including firearms concealed or not, or other instrument intended for use as a weapon, or any object capable of inflicting serious bodily injury upon another person or property may be carried in or on any facility or property of KCATA, including vehicles of contractors parked on KCATA property or leased facilities, or vehicles used in transporting KCATA customers, even if a person has a permit to carry a concealed weapon, unless authorized in writing to do so by KCATA. For the purposes hereof, a weapon shall include, but not be limited to, a firearm, knife, sword, mace, or any instrument of any kind known as blackjack, billy club, club, sandbag and metal knuckles.
- C. No explosives, flammable liquids, acids, fireworks, other highly combustible materials, radioactive materials or biochemical materials may be carried on or in any KCATA property, facility or vehicle, including vehicles of contractors parked on KCATA property or leased facilities, or vehicles used in transporting any KCATA customer, except as authorized in writing by KCATA.
- D. Any contractor, subcontractor, employee or agent thereof, who has a firearm or other weapon, including those used for recreational purposes, in his/her possession, including on his/her person, in a vehicle on an KCATA facility, in a vehicle carrying KCATA customers, or accessible such as in first aid kits, toolboxes, purses, lunch or carrying bags, etc., at any time while performing KCATA contracted services or on KCATA property, including parking lots, concealed or not, shall be immediately prohibited from performing any further KCATA work, even if the person has a permit to carry a concealed weapon.
- E. Any KCATA contractor, subcontractor, employee or agent thereof, while performing KCATA contracted services or on any KCATA property or facilities, who has in his/her possession, carries, transports, displays, uses, flourishes, or threatens another person with a weapon, radioactive material, biochemical material or other dangerous weapon, object or material, which has the capability of inflicting bodily injury, shall be immediately prohibited from performing any further KCATA work and reported to local law enforcement authorities.

ARTICLE 35: RECORD RETENTION AND ACCESS

- A. The Contractor agrees that, during the course of this agreement and any extensions thereof, and for three years thereafter, it will maintain intact and readily accessible all data, documents, reports, records, contracts, and supporting materials relating to this Contract. In the event of litigation or settlement of claims arising from the performance of this Contract, the Contractor agrees to maintain same until such litigation, appeals, claims or exceptions related thereto have been disposed of.
- B. The Contractor shall permit KCATA, the U.S. Secretary of Transportation, the Comptroller General of the United States, and, as applicable, the City of Kansas City, Missouri, to inspect all work, materials, construction sites, payrolls, and other data and records, and to audit the books, records, and accounts of the Contractor relating to its performance under this Contract.
- C. The Contractor agrees to permit any of the foregoing parties to reproduce by any means whatsoever or to copy excerpts and transcriptions as reasonably needed, and to include this clause in all subcontracts.

ARTICLE 36: REQUESTS FOR PAYMENT

- A. Invoices requesting payment shall be submitted directly to KCATA's Procurement Department. All invoices shall be numbered, dated and submitted in duplicate, and contain full descriptive information of materials or services furnished. All invoices and correspondence shall reference KCATA's Contract number. Separate invoices shall be submitted for each purchase order or work (task) order.
- B. Payment by KCATA will be made within the later of 1) 30 days after receipt of a proper invoice, or 2) 30 days after KCATA's acceptance of supplies delivered or services performed by the Contractor. On a final invoice where the payment amount is subject to contract settlement actions, acceptance shall be deemed to have occurred on the effective date of the contract settlement.
- C. All final invoices shall be submitted to KCATA within 90 days of project completion or contract termination. Invoices submitted more than 90 days after project completion or contract termination will not be valid and will not be paid. Contractor indemnifies and holds KCATA harmless for any suit filed for payment of invoices submitted after 90 days of project completion or contract termination.
- D. **Subcontractor Payments**
 - 1. Prompt Payment. The Contractor shall establish procedures to ensure timely payment of amounts due pursuant to the terms of its subcontracts. The Contractor shall pay each DBE and non-DBE subcontractor for satisfactory performance of its contract, or any billable portion thereof, in accordance with the timing set forth in any applicable laws or no later than 30 days, whichever is less, from the date of the Contractor's receipt of payment from the Authority for work by that subcontractor.
 - 2. Prompt Return of Retainage. If retainage is withheld from subcontractors, the Contractor is required to return any retainage payment to its DBE and non-DBE subcontractors in accordance with the timing set forth in any applicable laws or no later than 30 days, whichever is less, from the date of receipt of the retainage payment from the Authority related to the subcontractors work. Any delay or postponement of payment from said time frame may occur only for good cause following written approval from KCATA.
 - 3. The Contractor shall certify on each payment request to the Authority that payment has been or will be made to all subcontractors. Lien waivers may be required for the Contractor and its subcontractors. The Contractor shall notify KCATA on or before each payment request, of any situation in which scheduled subcontractor payments have not been made.

4. If a subcontractor alleges that the Contractor has failed to comply with this provision, the Contractor agrees to support any Authority investigation, and if deemed appropriate by the Authority, to consent to remedial measures to ensure that subcontractors are properly paid as set forth herein.
5. The Contractor agrees that the Authority may provide appropriate information to interested subcontractors who inquire about the status of Authority payments to the Contractor.
6. Nothing in this provision is intended to create a contractual obligation between the Authority and any subcontractor or to alter or affect traditional concepts of privity of contract between all parties.

ARTICLE 37: RIGHT TO OFFSET

KCATA, without waiver or limitation of any rights, may deduct from any amounts due Contractor in connection with this Contract, or any other contract between Contractor and KCATA, any amounts owed by Contractor to KCATA, including amounts owed by Contractor pursuant to Contractor's obligation to indemnify KCATA against third party claims arising out of Contractor's performance of work under this Contract.

ARTICLE 38: SEAT BELT USE POLICY

Contractor agrees to comply with terms of Executive Order No. 13043 "Increasing Seat Belt Use in the United States" and is encouraged to include those requirements in each subcontract awarded for work relating to this Agreement.

ARTICLE 39: SEVERABILITY

If any clause or provision of this Contract is held to be invalid illegal or otherwise unenforceable by a court of competent jurisdiction, the remaining provisions of this Contract shall continue in full force and effect.

ARTICLE 40: SUBCONTRACTORS

- A. **Subcontractor Approval.** None of the work or services covered by this Contract shall be subcontracted without the prior written approval of KCATA. The only subcontractors approved for this Contract, if any, are listed in an appendix to this Contract. Any substitutions or additions of subcontractors must have the prior written approval of KCATA as set forth herein.
- B. **DBE Subcontractor Employment.** See Disadvantaged Business Enterprise Provisions.
- C. **Subcontractor Payments.** See Requests for Payment Provisions.
- D. **Adequate Provision(s) in Subcontract(s).** Any subcontracts related to this Contract must contain adequate provisions to define a sound and complete agreement. In addition, all subcontracts shall contain contractual provisions or conditions that allow for:
 1. Administrative, contractual, or legal remedies in instances where subcontractors violate or breach contract terms, including sanctions and penalties as may be appropriate.
 2. Termination for cause and for convenience including the manner by which it will be effected and the basis for settlement.
 3. The following provisions if included in this Contract:

Acceptance of Material – No Release
ADA Access Requirements
Agreement in Entirety
Architect-Engineer Rights & Responsibilities
Assignment
Bankruptcy
Bonding Requirements
Breach of Contract; Remedies
Bus Testing
Changes
Civil Rights
Conflicts of Interest
Continuity of Services
Contractor's Personnel
Contractor's Responsibility
Debarment and Suspension
Delivery
Disadvantaged Business Enterprise (DBE)
Disclaimer of Federal Government Obligations or Liability
Dispute Resolution
Employee Eligibility Verification
Construction Employee Protections
Employee Protections
Environmental Regulations
Federal Changes
Fraud and False or Fraudulent Statements or Related Acts
Governing Law: Choice of Judicial Forum
Headings
Incorporation of FTA Terms
Independent Contractor
Inspection of Services
Insurance
Liability and Indemnification
Licensing, Laws and Regulations
National Intelligent Transportation Systems Architecture & Standards
Notification and Communication
Ownership, Identification, and Confidentiality of Work
Patents and Rights in Data and Copyrights
Privacy Act Requirements
Prohibited Interests
Prohibited Weapons and Materials
Qualification Requirements
Record Retention and Access
Requests for Payment
Right to Offset
Seat Belt Use Policy
Seismic Safety
Service Manual and Wiring Schematic
Severability
Subcontractors
Suspension of Work

Taxpayer Identification Number (TIN)
Termination
Texting While Driving and Distracted Driving
Training
Transit Operation Restrictions
Unavoidable Delays
Warranty; Warranty of Title
General Provisions

- E. The Contractor will take such action with respect to any subcontractor as KCATA or the U.S. Department of Transportation may direct as means of enforcing such provisions of this contract.
- F. KCATA reserves the right to review the Contractor's written agreement with its subcontractors (DBE and non-DBE) to confirm that required federal contract clauses are included.
- G. KCATA may perform random audits and contact minority subcontractors to confirm the reported DBE participation.

ARTICLE 41: SUSPENSION OF WORK

KCATA may order the Contractor, in writing, to suspend, delay, or interrupt all or any part of the work under this agreement for the period of time that KCATA determines appropriate for the convenience of KCATA.

ARTICLE 42: TAXPAYER IDENTIFICATION NUMBER (TIN)

The Contractor is required to provide its TIN, which is the number required by the IRS to be used by KCATA in reporting income tax and other returns. The TIN provided by the Contractor is _____.

ARTICLE 43: TERMINATION

- A. **Termination for Convenience.** The KCATA may terminate this Contract, in whole or in part, at any time by written notice to the Contractor when it is in KCATA's best interest. The Contractor will only be paid the Contract price for supplies delivered and accepted, or services performed in accordance with the manner of performance set forth in the Contract.
- B. **Funding Contingency.** If this Contract is subject to financial assistance provided by the U.S. Department of Transportation, the Contractor agrees that withdrawal or termination of such financial assistance by the U.S. DOT may require KCATA to terminate the agreement.
- C. **Termination for Default.**
 - 1. If the Contractor does not deliver supplies in accordance with the contract delivery schedule, or if the Contract is for services, and the Contractor fails to perform in the manner called for in the Contract, or if the Contractor fails to comply with any other provisions of the Contract, KCATA may terminate this Contract for default. Termination shall be effected by serving a notice of termination on the Contractor setting forth the manner in which the Contractor is in default. The Contractor will only be paid the contract price for supplies delivered and accepted, or services performed in accordance with the manner of performance set forth in the Contract.
 - 2. If the termination is for failure of the Contractor to fulfill the contract obligations, KCATA may complete the work by contract or otherwise and the Contractor shall be liable for any additional cost incurred by KCATA. If, after termination for failure to fulfill contract obligations, it is determined that the Contractor was not in

default, KCATA, after setting up a new delivery or performance schedule, may allow the Contractor to continue work, or treat the termination as a termination for convenience.

- D. **Opportunity to Cure.** KCATA in its sole discretion may, in the case of a termination for breach or default, allow the Contractor an appropriately short period of time in which to cure the defect. In such case, the written notice of termination will state the time period in which cure is permitted and other appropriate conditions. If Contractor fails to remedy to KCATA's satisfaction the breach or default of any of the terms, covenants, or conditions of this Contract within the time period permitted, KCATA shall have the right to terminate the Contract without any further obligation to Contractor. Any such termination for default shall not in any way operate to preclude KCATA from also pursuing all available remedies against Contractor and its sureties for said breach or default.
- E. **Waiver of Remedies for any Breach.** In the event that KCATA elects to waive its remedies for any breach by Contractor of any covenant, term or condition of this Agreement, such waiver by KCATA shall not limit KCATA's remedies for any succeeding breach of that or of any other term, covenant, or condition of this Agreement.
- F. **Property of KCATA.** Upon termination of the Contract for any reason, and if the Contractor has any property in its possession belonging to KCATA, the Contractor shall protect and preserve the property, account for the same, and dispose of it in the manner KCATA directs. Upon termination of the Contract for any reason, the Contractor shall (1) immediately discontinue all services affected (unless the notice directs otherwise), and (2) deliver to KCATA's Project Manager all data, drawings, specifications, reports, estimates, summaries, and other information and materials accumulated in performing this Contract, whether completed or in process.

ARTICLE 44: TEXTING WHILE DRIVING AND DISTRACTED DRIVING

Consistent with Executive Order No. 13513, "Federal Leadership on Reducing Text Messaging While Driving," October 1, 2009, 23 U.S.C. Section 402 note, and DOT Order 3902.10, "Text Messaging While Driving," December 30, 2009, the Contractor agrees to promote policies and initiatives for its employees and other personnel that adopt and promote safety policies to decrease crashes by distracted drivers, including policies to ban text messaging while driving, and to encourage each subcontractor to do the same.

ARTICLE 45: UNAVOIDABLE DELAYS

A delay is unavoidable only if the delay was not reasonably expected to occur in connection with or during the Contractor's performance, and was not caused directly or substantially by acts, omissions, negligence, or mistakes of the Contractor, the Contractor's suppliers, or their agents, and was substantial and in fact caused the Contractor to miss delivery dates, and could not adequately have been guarded against by contractual or legal means.

ARTICLE 46: WARRANTY; WARRANTY OF TITLE

- A. The Contractor agrees that equipment, materials or services furnished under this Agreement, shall be covered by the most favorable warranties the Contractor gives to any customer of such equipment, materials or services and that the rights and remedies provided herein are in addition to and do not limit any rights afforded to KCATA by any other clause in this Contract.
- B. The Contractor warrants to KCATA, that all products, equipment and materials furnished under this Contract will be of highest quality and new unless otherwise specified by KCATA, free from faults and defects and in conformance with the Contract. All work not so conforming to these standards shall be considered defective. If required by KCATA, the Contractor shall furnish satisfactory evidence as to the kind and quality of products, equipment and materials. Further, at a minimum, all such products, equipment or materials must be free of defects in workmanship or materials, merchantable, comply with all applicable specifications and laws and be suitable for its intended purposes. The workmanship must be the best obtainable in the various trades.

C. Upon final acceptance by KCATA of all work to be performed by the Contractor, KCATA shall so notify the Contractor in writing. The date of final acceptance shall commence the warranty period.

D. Warranty of Work and Maintenance

1. The Contractor warrants to KCATA, that all products, equipment and materials furnished under this Contract will be of highest quality and new unless otherwise specified by KCATA, free from faults and defects in workmanship or materials, merchantable, suitable for its intended purpose and in conformance with the Contract. All work not so conforming to these standards shall be considered defective. If required by KCATA, the Contractor shall furnish satisfactory evidence as to the kind and quality of products, equipment and materials. The work or services furnished must be of first quality and the workmanship must be the best obtainable in the various trades.
2. The work must be of safe, substantial and durable construction in all respects. The Contractor hereby guarantees the work against defective materials or faulty workmanship for a minimum period of one (1) year after final payment by KCATA and shall replace or repair any defective products, equipment or materials or faulty workmanship during the period of the guarantee at no cost to KCATA.

ARTICLE 47: GENERAL PROVISIONS

- A. **No Third Party Beneficiaries.** The parties do not intend to confer any benefit hereunder on any person, firm or entity other than the parties hereto.
- B. **Extensions of Time.** No extension of time for performance of any Contractor obligations or acts shall be deemed an extension of time for performance of any other obligations or acts.
- C. **Binding Effect.** This Contract shall bind and inure to the benefit of the legal representatives, successors and permitted assigns of the parties.
- D. **Counterparts.** This Contract may be executed at different times and in two or more counterparts and all counterparts so executed shall for all purposes constitute one contract, binding on all the parties hereto, notwithstanding that all parties shall not have executed the same counterpart. And, in proving this Contract, it shall not be necessary to produce or account for more than one such counterpart executed by the party against whom enforcement is sought.
- E. **Interpretation; Update of Citations.** Unless otherwise specified herein, (a) the singular includes the plural and the plural the singular; (b) words importing any gender include the other genders; and (c) references to persons or parties include their permitted successors and assigns. The parties recognize and agree that many of the laws, regulations, policies, procedures and directives stated as governing the Contractor's performance of its work or services, or the supplying of products, equipment, or materials, pursuant to this Contract are subject to updating, amendment or replacement. Therefore, all such references in this Contract are agreed by the parties to be deemed to refer to the then current updated, amended or replacement form of such laws, regulations, policies, procedures and directives in effect at the applicable time during the term of this Contract and the same are hereby incorporated into this Contract by this reference.
- F. **When Effective.** Notwithstanding any provision contained in this Contract to the contrary, this Contract shall become effective only after the execution and delivery of this Contract by each of the parties hereto and no course of conduct, oral contract or written memoranda shall bind the parties hereto with respect to the subject matter hereof except this Contract.

- G. Further Actions; Reasonableness and Cooperation by Parties; Time for Certain Actions.** Each party agrees to take such further actions and to execute such additional documents or instruments as may be reasonably requested by the other party to carry out the purpose and intent of this Contract. Except where expressly stated to be in a party's sole discretion, or where it is stated that a party has the ability to act in its sole judgment or for its own uses or purposes, wherever it is provided or contemplated in this Contract that a party must give its consent or approval to actions or inactions by the other party or a third party in connection with the transactions contemplated hereby, such consent or approval will not be unreasonably withheld or delayed. If no time period is set hereunder for a party to approve or consent to an action or inaction by the other party or a third party such approval shall be given or affirmatively withheld in writing within ten (10) business days after it is requested in writing or it shall be deemed given.
- H. Time Periods.** A "business day" is a business working day of KCATA administrative personnel which are days other than a Saturday, Sunday or legal holidays observed by the KCATA for administrative personnel. If the time period by which any right or election provided under this Contract must be exercised, or by which any act required hereunder must be performed, expires on a day which is not a business day, then such time period shall be automatically extended through the close of business on the next regularly scheduled business day.
- I. Survival.** In addition to any provisions expressly stated to survive termination of this Contract, all provisions which by their terms provide for or contemplate obligations or duties of a party which are to extend beyond such termination (and the corresponding rights of the other party to enforce or receive the benefit thereof) shall survive such termination.
- J. Authority of Signatories.** Any person executing this Contract in a representative capacity represents and warrants that such person has the authority to do so and, upon request, will furnish proof of such authority in customary form.

ATTACHMENT K
Annual Wage Order No. 24

Missouri Division of Labor Standards

WAGE AND HOUR SECTION



ERIC R. GREITENS, Governor

Annual Wage Order No. 24

Section 048

JACKSON COUNTY

In accordance with Section 290.262 RSMo 2000, within thirty (30) days after a certified copy of this Annual Wage Order has been filed with the Secretary of State as indicated below, any person who may be affected by this Annual Wage Order may object by filing an objection in triplicate with the Labor and Industrial Relations Commission, P.O. Box 599, Jefferson City, MO 65102-0599. Such objections must set forth in writing the specific grounds of objection. Each objection shall certify that a copy has been furnished to the Division of Labor Standards, P.O. Box 449, Jefferson City, MO 65102-0449 pursuant to 8 CSR 20-5.010(1). A certified copy of the Annual Wage Order has been filed with the Secretary of State of Missouri.

Original Signed by _____

Tammy Cavender
Acting Department Director
Division of Labor Standards

This Is A True And Accurate Copy Which Was Filed With The Secretary of State: March 10, 2017

Last Date Objections May Be Filed: April 10, 2017

Prepared by Missouri Department of Labor and Industrial Relations

Building Construction Rates for
JACKSON County

Section 048

OCCUPATIONAL TITLE	** Date of Increase	*	Basic Hourly Rates	Over-Time Schedule	Holiday Schedule	Total Fringe Benefits
Asbestos Worker (H & F) Insulator			\$36.97	52	53	\$25.45
Boilermaker			\$35.93	57	7	\$28.33
Bricklayer and Stone Mason			\$34.35	58	39	\$18.72
Carpenter			\$37.25	63	68	\$16.10
Cement Mason			\$31.24	65	4	\$18.54
Communication Technician			\$34.50	47	72	\$21.43
Electrician (Inside Wireman)			\$37.31	13	72	\$17.77 + 10%
Electrician (Outside-Line Construction/Lineman)			\$42.87	125	65	\$5.25 + 34.5%
Lineman Operator			\$39.62	125	65	\$5.25 + 34.5%
Groundman			\$27.63	125	65	\$5.25 + 34.5%
Elevator Constructor		a	\$45.49	26	54	\$33.235
Glazier			\$33.12	88	32	\$16.68
Ironworker			\$32.00	50	4	\$28.45
Laborer (Building):						
General			\$27.15	30	4	\$15.45
First Semi-Skilled			\$27.55	30	4	\$15.45
Second Semi-Skilled			\$27.95	30	4	\$15.45
Lather			USE CARPENTER RATE			
Linoleum Layer and Cutter			\$34.97	46	67	\$16.10
Marble Mason			\$34.84	25	4	\$14.43
Marble Finisher			\$24.38	25	4	\$9.12
Millwright			USE CARPENTER RATE			
Operating Engineer						
Group I			\$38.44	85	4	\$16.02
Group II			\$37.63	85	4	\$16.02
Group III			\$32.08	85	4	\$16.02
Group III-A			\$36.29	85	4	\$16.02
Group IV						
Group V			\$33.68	85	4	\$16.02
Painter			\$28.54	37	4	\$16.56
Pipe Fitter			\$43.08	2	33	\$21.57
Plasterer			\$31.60	68	4	\$16.25
Plumber			\$42.64	45	33	\$21.04
Pile Driver			USE CARPENTER RATE			
Roofer / Waterproofer			\$32.55	95	2	\$17.09
Sheet Metal Worker			\$40.20	17	22	\$21.71
Sprinkler Fitter - Fire Protection			\$36.74	14	4	\$19.62
Terrazzo Worker			\$34.84	25	4	\$14.43
Terrazzo Finisher			\$24.38	25	4	\$9.12
Tile Setter			\$34.84	25	4	\$14.43
Tile Finisher			\$24.38	25	4	\$9.12
Traffic Control Service Driver			\$15.35	48	49	\$2.71
Truck Driver-Teamster						
Group I			\$30.09	100	4	\$10.90
Group II			\$30.09	100	4	\$10.90
Group III			\$30.29	100	4	\$10.90
Group IV			\$30.29	100	4	\$10.90

Fringe Benefit Percentage is of the Basic Hourly Rate

**Annual Incremental Increase

*SEE FOOTNOTE PAGE

ANNUAL WAGE ORDER NO. 24

3/17

Building Construction Rates for
JACKSON County Footnotes

Section 048

OCCUPATIONAL TITLE	** Date of Increase	Basic Hourly Rates	Over-Time Schedule	Holiday Schedule	Total Fringe Benefits

* Welders receive rate prescribed for the occupational title performing operation to which welding is incidental.

Use Building Construction Rates on Building construction in accordance with the classifications of construction work established in 8 CSR 30-3.040(2).

Use Heavy Construction Rates on Highway and Heavy construction in accordance with the classifications of construction work established in 8 CSR 30-3.040(3).

a - Vacation: Employees over 5 years - 8%; Employees under 5 years - 6%

**Annual Incremental Increase

ANNUAL WAGE ORDER NO. 24

3/17

**JACKSON COUNTY
BUILDING CONSTRUCTION - OVERTIME SCHEDULE**

FED: Minimum requirement per Fair Labor Standards Act means time and one-half (1 ½) shall be paid for all work in excess of forty (40) hours per work week.

NO. 2: Means the maximum of eight (8) hours shall constitute a day's work beginning at 8:00 a.m. to 12:00 noon, 12:30 p.m. to 4:30 p.m. The maximum work week shall be forty (40) hours beginning Monday at 8:00 a.m. and ending Friday at 4:30 p.m. Because of traffic, parking or other circumstances, the hours of work on any project may be any continuous 8½ hours period (8 hours of work plus 30 minutes for lunch) between 7:00 a.m. and 4:30 p.m. When circumstances warrant and when it is mutually beneficial and agreed to, the Employer may institute a work week consisting of four (4) consecutive ten (10) hour days, between the hours of 7:00 a.m. and 6:00 p.m. Monday through Thursday, with one-half (½) hour allowed for a lunch period each day. Friday may be used as a make-up day. After ten (10) hours in a workday, or forty (40) hours in a workweek, overtime shall be paid at a rate of one and one-half (1½) times the regular rate of pay. Overtime performed Monday through Saturday shall be paid at the rate of one and one-half (1½) times the regular rate of pay. Sundays and recognized holidays shall be paid at the double (2) time rate of pay. Labor Day shall be paid at triple (3) time. Shift work may be performed at the option of the Contractor. However, whenever shift work is performed it must cover a period not less than (5) consecutive working days. The day shift shall work a regular eight (8) hours shift as outlined above. Employees working a second shift shall receive an additional \$0.25 above the regular hourly rate and perform seven and one-half (7½) hours work for eight (8) hours pay. Third shift employees shall be paid an additional \$0.50 above the regular hourly rate and work seven (7) hours for eight (8) hours pay. In the event a first shift is not required, a second and third shift employee shall receive an additional 15% of the base rate and receive pay for actual hours worked.

NO. 13: Means a regular workday shall consist of eight (8) hours between 8:00 a.m. and 4:30 p.m. Forty (40) hours, within five (5) days – Monday through Friday inclusive – shall constitute the regular workweek. The Employer may alter the above stated hours by two (2) hours for an early starting and quitting time only, not to exceed eight (8) hours of work in any one day. When job conditions dictate and as required by the customer, the Employer shall be allowed to establish a four (4) day, ten (10) hour per day work week. This work week is defined as Monday through Thursday, with a Friday make-up day. The normal work day under a ten (10) hour four (4) day work week shall be from 7:00 a.m. to 6:00 p.m., with a one hour starting variance. The make-up day of Friday shall be instituted for specific reasons such as loss of production due to weather and/or holidays. All hours worked in excess of ten (10) hours per day or forty (40) hours per week or hours worked outside the normal work week shall be paid at the applicable overtime rate. The first four (4) hours of overtime after the normal workday, each day Monday through Friday and the first ten (10) hours of overtime on Saturdays shall be paid for at one and one-half (1½) times the regular straight time rate of pay. All other work performed outside of the regularly scheduled working hours and outside of the first ten (10) hours worked on Saturdays shall be paid for at double (2) the regular straight time rate of pay. Sundays and the recognized holidays shall be paid for at double (2) the regular straight time rate of pay, if worked. When so elected by the contractor, multiple shifts of at least five (5) days duration may be worked. When two (2) or three (3) shifts are worked: The first shift (day shift) shall be worked between the hours of 8:00 a.m. and 4:30 p.m. Workmen on the "day shift" shall receive eight (8) hours pay at the regular hourly rate for eight (8) hours work. The second shift (swing shift) shall be worked between the hours of 4:30 p.m. and 12:30 a.m. Workmen on the "swing shift" shall receive eight (8) hours pay at the regular hourly rate plus 10% for seven and one-half (7 ½) hours work. The third shift (graveyard shift) shall be worked between the hours of 12:30 a.m. and 8:00 a.m. Workmen on the "graveyard shift" shall receive eight (8) hours pay at the regular hourly rate plus 15% for seven (7) hours work. A lunch period of thirty (30) minutes shall be allowed on each shift. All overtime work required after the completion of a regular shift shall be paid at one and one-half (1½) times the "shift" hourly rate.

NO. 14: Means eight (8) hours per day shall constitute a day's work. The regular starting time shall be 8:00 a.m., and the regular quitting time shall be 4:30 p.m.; lunch time shall be twelve (12) o'clock noon to 12:30 p.m. The regular starting time may, by mutual consent of employees on the job site, and the employer, be between 7:00 a.m. and 9:00 a.m. with appropriate adjustments made to the regular quitting time and lunch time. All time worked before the regular starting time and after the regular quitting time, Monday through Friday, shall be paid at the rate of time and one-half (1½). Four (4) days at ten (10) hours a day may be worked at straight time. All work commencing with the beginning of the established work day on Saturday shall be paid at the rate of time and one-half (1½). All work commencing with the beginning of the established work day on Sundays and/or Holidays shall be paid at the rate of double (2) time.

**JACKSON COUNTY
BUILDING CONSTRUCTION - OVERTIME SCHEDULE**

NO. 17: Means the regular working day shall consist of eight (8) hours of labor between 7:00 a.m. and 3:30 p.m. and the regular work week shall consist of five (5) consecutive eight (8) hour days of labor beginning on Monday and ending with Friday of each week. All full-time or part-time labor performed during such hours shall be recognized as regular working hours and paid for at the regular hourly rate. Except as otherwise provided, all work performed outside of regular working hours during the regular work week, shall be at double (2) times the regular rate. Working hours may be varied by two (2) hours. When circumstances warrant and when it is mutually beneficial and agreed to by interested parties, the Employer may institute a work week consisting of four (4) consecutive ten (10) hour days, between the hours of five (5) a.m. and six (6) p.m., Monday through Thursday, with one-half (1/2) hour allowed for a lunch period each day. Friday may be used as a make-up day. The make-up day will be voluntary, and a decision not to work may not be held against the employee. When working four (4) ten (10) hour day's overtime will be paid at the time and one-half (1½) rate for the eleventh (11th) and twelfth (12th) hour, all other work will be paid at the double (2) time rate of pay. The first two (2) hours of overtime, Monday through Friday, and the first eight (8) hours on Saturday shall be at time and one-half (1½) for all work. All other overtime shall be at double (2) time. The first two (2) hours of overtime must be concurrent with the regular work day; two (2) hours prior to or following the regular work day are at time and one-half (1½). The regular workday (as previously defined) on Saturday is paid at time and one-half (1½). Work performed outside of the regular Saturday work day is at double (2) time. All work performed on recognized holidays, or days locally observed as such, and Sundays shall be paid at the double (2) time rate of pay.

NO. 25: Means regular working hours of eight (8) hours shall constitute a working day between the hours of 8:00 a.m. to 4:30 p.m. in a forty (40) hour working week of Monday through Friday. Employment on Saturday, Sunday and legal holidays, and employment before or after the regular working hours shall be considered overtime. Employment on Saturday, Sunday and legal holidays shall be paid for at twice (2) the regular hourly rate. Employment from 4:30 p.m. to 12:00 midnight, Monday through Friday, shall be paid for at one and one-half (1½) times the regular hourly rate. From 12:00 midnight until 8:00 a.m. on any day shall be paid for at twice (2) the regular hourly rate.

NO. 26: Means that the regular working day shall consist of eight (8) hours worked between 6:00 a.m., and 5:00 p.m., five (5) days per week, Monday to Friday, inclusive. Hours of work at each jobsite shall be those established by the general contractor and worked by the majority of trades. (The above working hours may be changed by mutual agreement). Work performed on Construction Work on Saturdays, Sundays and before and after the regular working day on Monday to Friday, inclusive, shall be classified as overtime, and paid for at double (2) the rate of single time. The employer may establish hours worked on a jobsite for a four (4) ten (10) hour day work week at straight time pay for construction work; the regular working day shall consist of ten (10) hours worked consecutively, between 6:00 a.m. and 6:00 p.m., four (4) days per week, Monday to Thursday, inclusive. Any work performed on Friday, Saturday, Sunday and holidays, and before and after the regular working day on Monday to Thursday where a four (4) ten (10) hour day workweek has been established, will be paid at two times (2) the single time rate of pay. The rate of pay for all work performed on holidays shall be at two times (2) the single time rate of pay.

NO. 30: Means Monday through Sunday shall constitute the work week. Regular starting time shall be 8:00 A.M., except when the work week is scheduled as a week with starting time advanced or delayed. Starting time may be advanced or delayed by the employer up to two (2) hours from the regular starting time. Eight (8) hours shall constitute the work day. All work performed prior to or after the regular eight (8) hour work day, as described above, and all work performed on Saturday shall be paid at time and one-half (1½) the regular rate. In the event that a scheduled eight (8) hour work day is missed (not to include holidays) because of events out of the control of the contractor, then that missed work day may be made up at straight time the following Saturday. It is recognized that not all employees working on a Saturday make-up day will have worked the same number of hours during the regular work week. It is further recognized that any work after the forty (40) hours in a week must be paid at time and one-half (1½). Saturday make-up day shall not be used to make up for time lost due to recognized holidays. The employer may establish a 4-10's schedule on projects (4 days with 10 hours per day). If using a 4-10's schedule, a Friday make-up day is allowed. If using a 4 (10) schedule, any work more than ten (10) hours in a day or forty (40) hours in a work week shall be paid at the time and one-half (1½) rate. Friday make-up day shall not be used to make up for time lost due to recognized holidays. All work performed on Sundays or holidays shall be paid at the double (2) time rate.

**JACKSON COUNTY
BUILDING CONSTRUCTION - OVERTIME SCHEDULE**

NO. 37: The Employer may choose, at his discretion, to work five eight hour days or four ten hour days with a Friday make-up day, Monday through Friday at straight time. Overtime shall be paid after eight (8) hours when working "five eights" and after ten hours when working "four tens". All work performed on Sundays and recognized holidays shall be paid for at the rate of double (2) time. All Saturday work shall be paid for at the rate of time and one-half (1½) the regular wage rate. All night work during the regular work week other than the above-mentioned days shall be paid for at the rate of time and one-half (1½) the regular wage scale until midnight and double (2) time after midnight except make-up time will be allowed under the following condition: In the event of inclement weather on exterior projects which prevents working the full regular eight (8) hour day, forty (40) hour work week schedule, a Saturday make-up day can be granted. Then said work on Saturday shall be paid at the straight time rate of pay up to a maximum total of forty (40) hours per week.

NO. 45: Means eight (8) hours shall constitute a day's work, beginning at 8:00 a.m. and ending at 4:30 p.m. The regular work week shall be forty (40) hours, beginning Monday, 8:00 a.m. and ending at 4:30 p.m. Friday. Because of traffic, parking and other circumstances, the hours of work on any project may begin as early as 6:00 a.m. with eight (8) hours worked between 6:00 a.m. and 4:30 p.m. When circumstances warrant and when it is mutually beneficial and agreed to, the employer may institute a work week consisting of four (4) consecutive ten (10) hour days, between the hours of 7:00 a.m. and 6:00 p.m., Monday through Thursday. Friday may be used as a make-up day. After ten (10) hours in a workday, or forty (40) hours in a workweek, overtime shall be paid at a rate of one and one-half (1½) times the regular rate of pay. All overtime Monday through Saturday shall be paid at the rate of time and one-half (1½) the regular rate of pay. Sunday and recognized holidays shall be paid at double (2) time. Labor Day shall be paid at triple (3) time. Shift work may be performed at the option of the Contractor. However, whenever shift work is performed it must cover a period not less than (5) consecutive working days. The day shift shall work a regular eight (8) hours shift as outlined above. The hourly rate for second shift (seven and one-half hours worked for eight hours paid) shall be twenty-five cents (\$0.25) over and above the hourly rate. The hourly rate for third shift (seven hours worked, eight hours paid) shall be fifty cents (\$0.50) above the hourly rate. If no first shift is worked, second and third shift employees shall receive an additional fifteen percent (15%) over and above the hourly rate for actual hours worked.

NO. 46: Means the regular work day shall be eight (8) hours from 6:00 a.m. to 6:30 p.m. Starting time may be between 6:00 a.m. and 10:00 a.m. The regular work week shall be forty (40) hours, beginning between 6:00 a.m. and 10:00 a.m. on Monday and ending between 2:30 p.m. and 6:30 p.m. on Friday. All hours in excess of the regular work day and work week shall be considered overtime. Overtime on days recognized as regular work days and on Saturday shall be paid for at the rate of time and one-half (1½) the regular rate. Sunday and recognized holidays shall be paid for at the rate of double time (2) for time worked. The Employer may establish a work week consisting of four (4) days, Monday through Thursday, each day consisting of ten (10) hours at straight time rate of pay. The 4-10's must run for a period of at least four (4) days.

NO 47: Means a regular workday shall consist of eight (8) hours between 6:00 a.m. and 6:30 p.m. Forty (40) hours, within five (5) days – Monday through Friday or Tuesday through Saturday inclusive – shall constitute the regular workweek. The Employer may alter the above stated hours by two (2) hours for an early starting and quitting time only, not to exceed eight (8) hours of work in any one day. The Employer shall be allowed to establish a four (4) day, ten (10) hour per day work week. This work week is defined as Monday through Thursday, with a Friday make-up day. The normal work day under a ten (10) hour four (4) day work week shall be from 7:00 a.m. to 6:00 p.m. All hours worked in excess of ten (10) hours per day or forty (40) hours per week or hours worked outside the normal work week shall be paid at the applicable overtime rate. The first four (4) hours of overtime after the normal workday, each day Monday through Friday and the first ten (10) hours of overtime on Saturdays shall be paid for at one and one-half (1½) times the regular straight time rate of pay. All other work performed outside of the regularly scheduled working hours and outside of the first ten (10) hours worked on Saturdays shall be paid for at double (2) the regular straight time rate of pay. Sundays and the recognized holidays shall be paid for at double (2) the regular straight time rate of pay, if worked. When so elected by the contractor, multiple shifts of at least five (5) days duration may be worked. When two (2) or three (3) shifts are worked: The first shift (day shift) shall be worked between the hours of 8:00 a.m. and 4:30 p.m. Workmen on the "day shift" shall receive eight (8) hours pay at the regular hourly rate for eight (8) hours work. The second shift (swing shift) shall be worked between the hours of 4:30 p.m. and 12:30 a.m. Workmen on the "swing shift" shall receive eight (8) hours pay at the regular hourly rate plus 10% for seven and one-half (7 ½) hours work. The third shift (graveyard shift) shall be worked between the hours of 12:30 a.m. and 8:00 a.m. Workmen on the "graveyard shift" shall receive eight (8) hours pay at the regular hourly rate plus 15% for seven (7) hours work. A lunch period of thirty (30) minutes shall be allowed on each shift. All overtime work required after the completion of a regular shift shall be paid at one and one-half (1½) times the "shift" hourly rate.

**JACKSON COUNTY
BUILDING CONSTRUCTION - OVERTIME SCHEDULE**

NO. 48: Means the regularly scheduled work week shall be five (5) consecutive days, Monday through Friday or Tuesday through Saturday. Eight (8) hours shall constitute a day's work. Starting time shall not be earlier than 7:00 a.m. nor later than 10:00 a.m. Forty (40) hours shall constitute a week's work. Overtime at the rate of time and one-half (1½) will be paid for all work in excess of forty (40) hours in any one work week. On the Monday through Friday schedule, all work performed on Saturday will be time and one-half (1½) unless time has been lost during the week, in which case Saturday will be a make up day to the extent of the lost time. On the Tuesday through Saturday schedule, all work performed on Monday will be time and one-half (1½) unless time has been lost during the week, in which case Monday will be a make-up day to the extent of the lost time. Any work performed on Sunday will be double (2) time. If employees work on any of the recognized holidays, they shall be paid time and one-half (1½) their regular rate of pay for all hours worked.

NO. 50: Means eight (8) hours constitute a normal day's work Monday through Friday. Any time worked over eight (8) hours will normally be paid at time and one-half (1½) except for exclusions stated in some following additional sentences. The Employer, at his discretion, may start the work day between 6:00 a.m. and 9:00 a.m. Any schedule chosen shall be started at the beginning of the work week (Monday) and used for at least five days. Work may be scheduled on a four (4) days a week (Monday through Thursday) at ten (10) hours a day schedule. If such a schedule is employed, then Friday may be used as a make-up day when time is lost due to inclement weather. Time and one-half (1½) shall be paid for any work in excess of eight (8) hours in any regular work day Monday through Friday unless working 4-10's, then time and one-half (1½) after ten (10) hours. All work performed on Saturday will be time and one-half (1½). Double (2) time shall be paid for all work on Sundays and recognized holidays.

NO. 52: Means the regular workweek shall consist of five (5) eight (8) hour days, Monday through Friday. The regular workday shall consist of an eight (8) hour period, to be worked between the agreed upon starting time and ending no later than 4:30 p.m. The agreed upon starting time shall be any time between the hours of 6:00 a.m. and 8:00 a.m. The option exists for the employer to use a four (4) day, ten (10) hour work week. Days worked shall be Monday through Thursday or Tuesday through Friday. If the job requires men on duty all five (5) days, then part of the crew may work the first four (4) days and the remainder of the crew may work the last four (4) days. Hours each day shall be from 7:00 a.m. to 5:30 p.m. Interested parties on the project must agree to this clause before it may be used. Once this clause has been put into effect, it shall remain as long as the majority of the Employees on the project and the Employer agree to keep it. The four (4) day clause shall not be used to circumvent a Holiday. Except as otherwise provided, all work performed outside the regular working hours and performed during the regular work week (Monday through Friday) shall be at the following rates of pay:

Holidays-New Year's Day, Memorial Day, Independence Day, Thanksgiving Day, Christmas Day (or days observed as such) shall be recognized as Holidays that shall be paid at two (2) times the regular rate of pay.

Labor Day-No work shall be performed on Labor Day except in special cases of emergency. Rate of pay shall be at three (3) times the regular rate of pay.

Overtime-Work performed outside of the regular work day (the regular work day shall consist of an eight (8) hour period, to be worked between the agreed upon starting time and ending not later than 4:30 p.m. The agreed upon starting time shall be any time between the hours of 6:00 a.m. and 8:00 a.m., by mutual consent of the interested party's.), shall be:

- A. Hours worked Monday through Friday, the first two (2) hours of overtime will be paid at time and one-half (1½). All other overtime will be paid at the double (2) time rate.
- B. The first ten (10) hours worked on Saturday will be paid at time and one-half (1½), with all other hours to be paid at the double (2) time rate.
- C. Sundays and Holidays (except Labor Day) shall be paid at the double (2) time rate.

**JACKSON COUNTY
BUILDING CONSTRUCTION - OVERTIME SCHEDULE**

NO. 57: Means eight (8) hours per day shall constitute a day's work and forty (40) hours per week, Monday through Friday, shall constitute a week's work. The regular starting time shall be 8:00 a.m. If a second or third shift is used, the regular starting time of the second shift shall be 4:30 p.m. and the regular starting period for the third shift shall be 12:30 a.m. These times may be adjusted by the employer. The day shift shall work a regular eight (8) hours shift as outlined above. Employees working a second shift shall receive an additional \$0.25 above the regular hourly rate and perform seven and one-half (7½) hours work for eight (8) hours pay. Third shift employees shall be paid an additional \$0.50 above the regular hourly rate and work seven (7) hours for eight (8) hours pay. When circumstances warrant, the Employer may change the regular workweek to four (4) ten-hour days at the regular time rate of pay. All time worked before and after the established workday of eight (8) hours, Monday through Friday, and all time worked on Saturday shall be paid at the rate of time and one-half (1½) except in cases where work is part of an employee's regular Friday shift. All time worked on Sunday and recognized holidays shall be paid at the double (2) time rate of pay except in cases where work is part of an employee's previous day's shift. For all overtime hours worked \$27.09 of the fringe benefits portion of the prevailing wage shall be paid at the same overtime rate at which the cash portion of the prevailing wage is to be paid. The remaining \$1.24 of the fringe benefit portion of the prevailing wage may be paid at straight time.

NO. 58: Means eight (8) consecutive hours, between 6:00 a.m. and 5:30 p.m., shall constitute a day's work. Five (5) days work, Monday through Friday, shall constitute a normal work week. Work performed in excess of eight (8) hours per day or eight hours beyond normal starting time for that project excluding lunch Monday through Friday, and all work performed on Saturday, shall be paid for the rate of time and one-half (1½). When Sundays and recognized holidays are worked, the worker(s) shall be paid at the rate of double (2) time. Work may be scheduled on a four (4) days a week (Monday through Thursday) at ten (10) hours a day schedule at straight time. A Friday make-up day is available if time is lost due to inclement weather and at least sixteen (16) hours, but not more than thirty (30) hours, were worked during the week.

NO. 63: Means eight (8) hours shall constitute the regular work day between time that may be advanced or delayed by two (2) hours on either side of 8:00 AM. The Employer may establish a work week consisting of four (4) days, Monday through Thursday, each day consisting of ten (10) hours straight time. The four (4) tens (10s) must run for a period of at least four (4) days, Monday through Thursday. All work on Friday on a four (4) tens (10) project will be paid at the rate of time and one-half (1½). All work performed on Saturday shall be paid at time and one-half (1½). All work performed on Sundays and recognized holidays must be paid at double (2) time. All work performed prior to or after the regular eight (8) hour work day, or ten (10) hour work day, as described above shall be paid at time and one-half (1½) the regular rate.

NO. 65: Means Monday through Sunday shall constitute the work week. Regular starting time shall be 8:00 a.m., with one half hour for lunch between three and one-half (3½) and five (5) hours after starting time. The starting time may be advanced by two (2) hours or delayed one (1) hour by the employer from the regular starting time. All work performed before the advanced starting time and during the half hour lunch shall be paid at the overtime rate of time and one-half (1½). Work performed outside these hours shall be paid at the overtime rate of time and one-half (1½), except as provided otherwise below. All work performed on Sundays or recognized holidays shall be paid at the double (2) time rate. When the start time is delayed past 9:00 a.m., the employee's pay shall start at 9:00 a.m. and all time, after the normal quitting time (5:30 p.m.), shall be paid at the overtime rate. Eight (8) hours shall constitute the work day. All work performed prior to or after the regular eight (8) hour work day, as described above, and all work performed on Saturday shall be paid at time and one-half (1½) the regular rate. In the event that a scheduled eight (8) hour work day is missed (not including recognized holidays) because of inclement weather, then that missed work day may be made up at straight time on the following Saturday. It is recognized that not all employees working on a Saturday make-up day will have worked the same number of hours during the regular work week. It is further recognized that any work after forty (40) hours must be paid at time and one-half (1½). The employer may establish a 4-10's schedule on projects (4 days with 10 hours per day at straight time). In order to use the 4-10's schedule, the employer must schedule the 4-10's for a minimum of one (1) week. If using a 4-10's schedule, a Friday make-up day is allowed.

**JACKSON COUNTY
BUILDING CONSTRUCTION - OVERTIME SCHEDULE**

NO. 68: Means Monday through Sunday shall constitute the work week. Regular starting time shall be 8:00 a.m., with one half hour for lunch between three and one-half and five hours after starting time. The starting time may be advanced or delayed by the employer up to one hour from the regular starting time. All work performed before the advance starting time and during the half hour lunch shall be paid at the overtime rate of time and one-half (1½). Work performed outside these hours shall be paid at the overtime rate of time and one-half (1½), except as provided otherwise below. All work performed on Sundays or holidays shall be paid at the double (2) time rate. Eight (8) hours shall constitute the work day. All work performed prior to or after the regular eight (8) hour work day, as described above, and all work performed on Saturday shall be paid at time and one-half (1½) the regular rate, except as hereinafter described. In the event that a scheduled eight (8) hour work day is missed (not including recognized holidays) because of inclement weather, then that missed work day may be made up at straight time on the Saturday in the week of the pay period. It is recognized that not all employees working on a Saturday make-up day will have worked the same number of hours during the regular work week. It is further recognized that any work after forty (40) hours must be paid at time and one-half (1½). The employer may establish a 4-10's schedule on projects (4 days with 10 hours per day at straight time). In order to use the 4-10's schedule, the employer must schedule the 4-10's for a minimum of one (1) week. If using a 4-10's schedule, a Friday make-up day is allowed.

NO. 85: Means the work week shall be Monday through Sunday. Eight (8) hours shall constitute a day's work to begin between 6:00 a.m. and 9:00 a.m. and end between 2:30 p.m. to 5:30 p.m. Employees required to work during their lunch period shall receive the overtime rate. Employees shall receive time and one-half (1½) for all time they are required to work prior to their normal starting time or after eight (8) hours or normal quitting time Monday through Friday, or all day on Saturday. If an Employer has started the work week on a five day, eight hours a day schedule, and due to inclement weather misses any time, then he may switch to a nine or ten hours a day schedule, at straight time, for the remainder of that work week in order to make up for the lost time (10-hour make-up day). All work over ten (10) hours a day or over forty (40) hours a week must be paid at time & one-half (1½). Sundays and recognized holidays shall be paid at the double (2) time rate of pay. A contractor may alter the regular work week to four (4) ten (10) hour days at straight time rate of pay. To do this the scheduled 4-10's must be worked at least one full week and the regular workweek shall be Monday through Thursday with Friday being a make-up day at straight time for days missed in the regular workweek due to inclement weather. If 5-8's are being worked, Saturday may be used as a make-up day at straight time if inclement weather prevents work during the normal work week.

NO. 88: Means the regular work week shall consist of five (5) eight (8) hour days, 7:00 a.m. to 3:30 p.m., Monday through Friday, except when the work week is scheduled as a 4-10's week or as a week with start time advanced or delayed as described below. The starting time may be advanced or delayed by one hour on either side of 7:00 a.m. The advanced or delayed starting time must run for a period of at least five (5) days. The Employer may establish a work week consisting of four (4) days, during the regular work week, each day consisting of ten (10) hours at straight time. The 4-10's must run for a period of at least four (4) days. Time and one-half (1½) shall be paid for any work in excess of eight (8) hours in any regular work day Monday through Friday (or ten hours in a 4-10's week), the first eight (8) hours of a Saturday, and it shall be at time and one-half (1½) for the Friday and Saturday following Thanksgiving. Double (2) time shall be paid for the following time worked on Sunday, New Year's Day, Memorial Day, Fourth of July, Labor Day, Thanksgiving Day and Christmas Day, as well as any work in excess of eight (8) hours on a Saturday and the Saturday of a three-day weekend (except the Saturday following Thanksgiving).

NO. 95: Means a regular workday shall consist of eight and one-half (8½) hours elapsed time, including one-half hour for lunch. The crew starting times shall be flexible within the period of daylight to 8:00 a.m. Any work performed over ten (10) hours of elapsed time per day including one-half hour for lunch and/or any work performed over forty (40) hours at the straight time rate in one week shall be paid at time and one-half (1½) the straight time rate. Saturday shall be a voluntary make-up day at straight time at the discretion of the contractor and with the consent of the employees. Sunday and recognized holidays shall be paid for at double (2) time.

**JACKSON COUNTY
BUILDING CONSTRUCTION - OVERTIME SCHEDULE**

NO. 100: Means eight (8) hours shall constitute a day's work, and five (5) continuous eight-hour days shall constitute a week's work, Monday through Friday. Time and one-half (1½) the regular hourly rate shall be paid for all work performed in excess of eight (8) hours in any one day or forty (40) hours in any one week. Starting time shall be between 6:00 a.m. and 9:00 a.m. All work over eight (8) hours in a regular 5-day 8-hour schedule shall be at the appropriate overtime rate. All time worked before the regular scheduled starting time shall be paid for at the rate of time and one-half (1½) and shall not apply to regular shift. All time worked after eight (8) hours in any one day or after 5:30 p.m., whichever comes first, shall be paid at the time and one-half (1½) rate. An Employer, at his option, may elect to work four (4) ten (10) hour days, Monday through Thursday, at straight time. All such work must be done at least one week in duration. All work over ten (10) hours in one day or forty (40) hours in a week shall be at the overtime rate. Any employee who is scheduled to work on any regular work day but is prevented from working because of weather conditions, shall be permitted to work on Saturday (Friday if working 4-10's) as a make-up day at the straight time rate of pay. When an employee is required to work on any recognized holiday they shall receive the double (2) time rate for all time that they are required to perform work. All time worked from 12:00 Midnight Saturday to 12:00 Midnight Sunday shall be paid for at the rate of double (2) time on single shift.

NO. 125: Eight (8) hours of work between the hours of 8:00 a.m. and 4:30 p.m. shall constitute a work day. Forty (40) hours within the five (5) days, Monday through Friday inclusive, shall constitute the work week. Starting time may be adjusted not to exceed two (2) hours. Work performed outside of the aforementioned will be paid at the applicable overtime rate. When starting time has been adjusted, all other provisions concerning the work day shall be adjusted accordingly. The overtime rate of pay shall be one and one-half (1½) times the regular rate of wages, other than on Sundays, holidays and from Midnight until 6:00 a.m., which will be paid at double (2) the straight time rate.

**JACKSON COUNTY
HOLIDAY SCHEDULE – BUILDING CONSTRUCTION**

NO. 2: All work performed on New Year's Day, Memorial Day, Fourth of July, Labor Day, Thanksgiving Day, Christmas Day, or the days observed as such, shall be paid at the double time rate of pay.

NO. 4: All work done on New Year's Day, Memorial Day, Independence Day, Labor Day, Thanksgiving and Christmas Day shall be paid at the double time rate of pay. If any of the above holidays fall on Sunday, Monday will be observed as the recognized holiday. If any of the above holidays fall on Saturday, Friday will be observed as the recognized holiday and holidays falling on Sunday will be observed on the following Monday.

NO. 7: The following days are assigned days and are recognized as holidays: New Year's Day, Memorial Day, Independence Day, Labor Day, Veteran's Day, Thanksgiving Day, and Christmas Day. If a holiday falls on a Sunday, it shall be observed on the following Monday. If a holiday falls on a Saturday, it shall be observed on the preceding Friday. No work shall be performed on Labor Day except in case of jeopardy to work under construction. This is applied to protect Labor Day. When a holiday falls during the normal workweek, Monday through Friday, it shall be counted as eight (8) hours toward the forty (40) hour week. However, no reimbursement for these eight (8) hours is to be paid to the workman unless worked. If workman are required to work the above enumerated holidays or days observed as such, or on Sunday, they shall receive double (2) the regular rate of pay for such work.

NO. 22: All work performed on New Year's Day, Memorial Day, Independence Day, Labor Day, Thanksgiving Day, Christmas Day, or days locally observed as such, and Sunday shall be recognized as holidays. If a holiday falls on Saturday, Friday shall be observed; if it falls on Sunday, Monday shall be observed. All work performed on holidays shall be paid at the double (2) time rate of pay.

NO. 32: All work performed for the Friday and Saturday following Thanksgiving shall be paid at the time and one-half (1½) rate of pay. All work performed on Sundays, New Year's Day, Memorial Day, Fourth of July, Labor Day, Thanksgiving Day and Christmas Day shall be paid at the double (2) time rate of pay. When one of the above holidays falls on Sunday, the following Monday shall be observed and when one of the above holidays falls on Saturday, the preceding Friday shall be observed.

NO. 33: All work done on New Year's Day, Memorial Day, Fourth of July, Thanksgiving Day and Christmas Day shall be paid at the double time rate of pay. Labor Day shall be paid at the triple (3) time rate of pay. If the holiday falls on Sunday, the following Monday will be observed; if the holiday falls on Saturday, the preceding Friday will be observed.

NO. 39: No work shall be done on the following holidays: New Year's Day, Memorial Day, Independence Day, Labor Day, Thanksgiving Day, and Christmas. Any of these holidays falling on Sunday, the following Monday shall be a holiday, and any of these holidays falling on Saturday, the preceding Friday shall be a holiday.

NO. 49: The following days shall be observed as legal holidays: New Year's Day, Decoration Day, July 4th, Labor Day, Thanksgiving Day, Christmas Day, Employee's birthday and two (2) personal days. The observance of one (1) of the personal days to be limited to the time between December 1 and March 1 of the following year. If any of these holidays fall on Sunday, the following Monday will be observed as the holiday and if any of these holidays fall on Saturday, the preceding Friday will be observed as the holiday. If employees work on any of these holidays they shall be paid time & one-half (1½) their regular rate of pay for all hours worked.

NO. 53: All work done on New Year's Day, Memorial Day, Independence Day, Thanksgiving Day, Christmas Day or days observed as such for these holidays shall be paid at the double (2) time rate of pay. No work shall be performed on Labor Day except in special cases of emergency, and then the rate of pay shall be at three (3) times the regular rate of pay. When a holiday falls on a Sunday, the following Monday shall be observed as the holiday. When a holiday falls on Saturday, the preceding Friday shall be observed as the holiday.

NO. 54: All work performed on New Year's Day, Memorial Day, Independence Day, Labor Day, Veteran's Day, Thanksgiving Day, the Friday after Thanksgiving Day, and Christmas Day shall be paid at the double (2) time rate of pay. When a holiday falls on Saturday, it shall be observed on Friday. When a holiday falls on Sunday, it shall be observed on Monday.

**JACKSON COUNTY
HOLIDAY SCHEDULE – BUILDING CONSTRUCTION**

NO. 65: Work performed on New Year's Day, Memorial Day, Fourth of July, Labor Day, Thanksgiving Day, Christmas Day, or days celebrated as such, shall be paid at the double time rate of pay. If the holiday falls on Saturday, it will be observed on Friday; if the holiday falls on Sunday, it will be observed on Monday, and shall be paid for at double (2) the regular straight time rate of pay.

NO. 67: All work performed on New Year's Day, Memorial Day, Christmas Day, Fourth of July and Thanksgiving Day, from midnight to midnight, shall be paid for at the rate of double time (2) the basic rate of pay if required to work in addition to any other pay otherwise required hereunder as holiday pay. Positively no work shall be performed on Labor Day. Martin Luther King's Birthday, Veteran's Day, and the day after Thanksgiving Day shall be considered optional holidays, and if the Employer and employees agree that work will be performed on that day, no premium pay will be required. Should any of the above holidays fall on Saturday, the holiday will be observed on Friday. Should any of the above holidays fall on Sunday, the holiday will be observed on Monday.

NO. 68: All work performed on New Year's Day, Decoration Day (Memorial Day), Independence Day (Fourth of July), Labor Day, Thanksgiving Day, Christmas Day, or days observed as such, shall be paid at the rate of double (2) time. When a holiday falls on a Saturday, Friday shall be observed. When a holiday falls on a Sunday, Monday shall be observed. No work shall be performed on the Fourth of July or Labor Day except to save life or property. Where one of the holidays specified falls or is observed during the work week, then all work performed over and above thirty-two (32) hours in that week shall be paid at the rate of time and one-half (1½).

NO. 72: All work performed on New Year's Day, Memorial Day (last Monday in May), Independence Day, Labor Day, Thanksgiving Day and Christmas Day shall be paid for at double (2) the regular straight time rate of pay. Any one of the above listed holidays falling on Sunday shall be observed on the following Monday and paid for at double (2) the regular straight time rate of pay, if worked. Any one of the above listed holidays falling on Saturday shall be observed on the prior Friday and paid for at double (2) the regular straight time rate of pay, if worked. No work shall be performed on Labor Day except in case of emergency.

OCCUPATIONAL TITLE	* Date of Increase	Basic Hourly Rates	Over-Time Schedule	Holiday Schedule	Total Fringe Benefits
Carpenter		\$37.25	1	17	\$16.10
Cement Mason		\$31.50	3	2	\$16.77
Electrician (Outside-Line Construction)\Lineman)		\$42.87	18	24	\$5.25 + 34.5%
Lineman Operator		\$39.62	18	24	\$5.25 + 34.5%
Lineman - Tree Trimmer		\$22.51	31	30	\$5.50 + 28%
Groundman		\$27.63	18	24	\$5.25 + 34.5%
Groundman - Tree Trimmer		\$18.21	31	30	\$5.50 + 28%
Laborer					
General Laborer		\$29.14	3	2	\$14.77
Skilled Laborer		\$30.35	3	2	\$14.77
Millwright		\$37.25	1	17	\$16.10
Operating Engineer					
Group I		\$35.82	3	2	\$15.99
Group II		\$34.78	3	2	\$15.99
Group III		\$34.78	3	2	\$15.99
Group IV		\$30.31	3	2	\$15.99
Oilier-Driver		\$33.66	3	2	\$15.99
Pile Driver		\$37.25	1	17	\$16.10
Traffic Control Service Driver		\$29.14	FED		\$14.77
Truck Driver-Teamster					
Group I		\$30.89	3	2	\$14.45
Group II		\$30.89	3	2	\$14.45
Group III		\$30.89	3	2	\$14.45
Group IV		\$30.89	3	2	\$14.45

Use Heavy Construction Rates on Highway and Heavy construction in accordance with the classifications of construction work established in 8 CSR 30-3.040(3).

Use Building Construction Rates on Building construction in accordance with the classifications of construction work established in 8 CSR 30-3.040(2).

If a worker is performing work on a heavy construction project within an occupational title that is not listed on the Heavy Construction Rate Sheet, use the rate for that occupational title as shown on the Building Construction Rate sheet.

**JACKSON COUNTY
OVERTIME SCHEDULE - HEAVY CONSTRUCTION**

FED: Minimum requirement per Fair Labor Standards Act means time and one-half (1 ½) shall be paid for all work in excess of forty (40) hours per work week.

NO. 1: Means (8) hours shall constitute the regular work day between time that may be advanced or delayed by two (2) hours on either side of 8:00 AM. The Employer may establish a work week consisting of four (4) days, Monday through Thursday, each day consisting of ten (10) hours straight time. The four (4) tens (10s) must run for a period of at least four (4) days, Monday through Thursday. All work on Friday on a four (4) tens (10) project will be paid at the rate of time and one-half (1½). All work performed on Saturday shall be paid at time and one-half (1½). All work performed on Sundays and recognized holidays must be paid at double (2) time. All work performed prior to or after the regular eight (8) hour work day, or ten (10) hour work day, as described above shall be paid at time and one-half (1½) the regular rate.

NO. 3: Means a regular work week shall consist of not more than forty (40) hours of work and all work performed over and above ten (10) hours per day or forty (40) hours per week shall be paid at the rate of time & one-half (1½). Workers shall receive time and one-half (1½) for all work performed on Sundays and recognized holidays. Double (2) time shall be paid for work performed on Sundays or recognized holidays when and only if any other craft employees of the same employer at work on that same job site are receiving double (2) time pay for that Sunday or Holiday work. A work day is to begin between 6:00 a.m. and 9:00 a.m. at the option of the Employer except when inclement weather or other conditions beyond the reasonable control of the Employer prevents work, in which event, the starting time may be delayed, but not later than 12:00 noon. Where one of the recognized holidays falls or is observed during the work week, then all work performed over and above thirty-two (32) hours in that week shall be paid at the rate of time and one-half (1½).

NO: 18: Eight (8) hours of work between the hours of 8:00 a.m. and 4:30 p.m. shall constitute a work day. Forty (40) hours within the five (5) days, Monday through Friday inclusive, shall constitute the work week. Starting time may be adjusted not to exceed two (2) hours. Work performed outside of the aforementioned will be paid at the applicable overtime rate. When starting time has been adjusted, all other provisions concerning the work day shall be adjusted accordingly. The overtime rate of pay shall be one and one-half (1½) times the regular rate of wages, other than on Sundays, holidays and from Midnight until 6:00 a.m., which will be paid at double (2) the straight time rate.

NO. 31: Means the overtime rate shall be time and one-half the regular rate for work over forty (40) hours per week. Sundays and Holidays shall be paid at double the straight time rate. All employees performing work on affected properties during or following emergencies shall receive the applicable rate of pay for the first sixteen (16) consecutive hours and all hours worked in excess of sixteen (16) consecutive hours shall be paid at double time until broken by an eight (8) hour rest period. Should an employee be called back to work within two hours of his normal quitting time, the previous hours worked shall count toward the above sixteen (16) hour provision.

**JACKSON COUNTY
HOLIDAY SCHEDULE – HEAVY CONSTRUCTION**

NO. 2: All work performed on New Year's Day, Decoration Day (Memorial Day), Independence Day (Fourth of July), Labor Day, Thanksgiving Day and Christmas Day, or days observed as such, and Sundays shall be paid at the rate of time and one-half (1½). Double (2) time shall be paid for work on Sundays or recognized holidays when and only if other craft employees of the same employer at work on that same job site are receiving double (2) time pay for that Sunday or holiday work. No work shall be performed on Labor Day, except in case of jeopardy of life or property. This rule is applied to protect Labor Day. When one of the above holidays falls on a Saturday, the preceding Friday shall be observed; when the holiday falls on a Sunday, the following Monday shall be observed. Where one of the specified holidays falls or is observed during the work week, then all work performed over and above thirty-two (32) hours in that week shall be paid at the rate of time and one-half (1½).

NO. 17: All work performed on New Year's Day, Decoration Day (Memorial Day), Independence Day (Fourth of July), Labor Day, Thanksgiving Day, Christmas Day, or days observed as such, shall be paid at the rate of double (2) time. When a holiday falls on a Saturday, Friday shall be observed. When a holiday falls on a Sunday, Monday shall be observed. No work shall be performed on the Fourth of July or Labor Day except to save life or property. Where one of the holidays specified falls or is observed during the work week, then all work performed over and above thirty-two (32) hours in that week shall be paid at the rate of time and one-half (1½).

NO. 24: Work performed on New Year's Day, Memorial Day, Fourth of July, Labor Day, Thanksgiving Day, Christmas Day, or days celebrated as such, shall be paid at the double time rate of pay. If the holiday falls on Saturday, it will be observed on Friday; if the holiday falls on Sunday, it will be observed on Monday, and shall be paid for at double (2) the regular straight time rate of pay.

NO. 30: All work performed on New Year's Day, Decoration Day, Fourth of July, Labor Day, Christmas Day, Thanksgiving Day and Day after Thanksgiving or days celebrated for the same.

**ATTACHMENT L
Davis Bacon Act Prevailing Wage Order, MO170045**

General Decision Number: MO170045 04/28/2017 MO45

Superseded General Decision Number: MO20160045

State: Missouri

Construction Type: Building

County: Jackson County in Missouri.

BUILDING CONSTRUCTION PROJECTS (does not include single family homes or apartments up to and including 4 stories).

Note: Under Executive Order (EO) 13658, an hourly minimum wage of \$10.20 for calendar year 2017 applies to all contracts subject to the Davis-Bacon Act for which the contract is awarded (and any solicitation was issued) on or after January 1, 2015. If this contract is covered by the EO, the contractor must pay all workers in any classification listed on this wage determination at least \$10.20 (or the applicable wage rate listed on this wage determination, if it is higher) for all hours spent performing on the contract in calendar year 2017. The EO minimum wage rate will be adjusted annually. Additional information on contractor requirements and worker protections under the EO is available at www.dol.gov/whd/govcontracts.

Modification Number	Publication Date
0	01/06/2017
1	02/10/2017
2	03/17/2017
3	03/31/2017
4	04/14/2017
5	04/21/2017
6	04/28/2017

ASBE0027-004 10/01/2016

	Rates	Fringes
ASBESTOS WORKER/HEAT & FROST INSULATOR.....	\$ 34.50	25.45

BOIL0083-005 01/01/2017

	Rates	Fringes
BOILERMAKER.....	\$ 36.56	28.11

BRMO0015-006 04/01/2017

	Rates	Fringes
BRICKLAYER.....	\$ 34.74	19.29

CARP0005-016 05/01/2016

	Rates	Fringes
CARPENTER (Including Acoustical Ceiling Installation, Drywall Hanging, Form Work, Metal Stud Installation, Scaffold Building & Batt Insulation).....	\$ 37.25	16.10

ELEC0124-002 08/31/2015

	Rates	Fringes
ELECTRICIAN.....	\$ 36.69	20.62

ENGI0101-018 04/01/2016

	Rates	Fringes
OPERATOR: Crane		
Boom 150 Feet & Over.....	\$ 39.79	15.97
Boom 225 Feet & Over.....	\$ 41.04	15.97
Boom 300 Feet & Over.....	\$ 42.04	15.97
Boom 350 Feet & Over.....	\$ 43.04	15.97
Boom Less Than 150 Feet.....	\$ 38.44	15.97
POWER EQUIPMENT OPERATOR:		
Backhoe/Excavator.....	\$ 37.63	15.97
Bobcat/Skid Loader.....	\$ 37.63	15.97
Forklift.....	\$ 36.29	15.97
Grader/Blade.....	\$ 37.63	15.97
Loader.....	\$ 37.63	15.97
Paver.....	\$ 37.63	15.97
Roller.....	\$ 37.63	15.97

IRON0010-017 04/01/2016

	Rates	Fringes
IRONWORKER, ORNAMENTAL, REINFORCING AND STRUCTURAL.....	\$ 32.00	28.15

LABO0264-001 04/01/2016

	Rates	Fringes
LABORER		
Brick & Cement/Concrete		
Mason Tender.....	\$ 27.55	15.40
Common or General; Asphalt		
Shoveler; Pipelayer.....	\$ 27.15	15.40

PAIN0003-001 04/01/2015

Rates	Fringes
-------	---------

PAINTER		
Brush & Roller.....	\$ 27.71	15.94
Drywall Finishing/Taping....	\$ 27.93	15.94

PAIN0558-008 04/01/2015

	Rates	Fringes
GLAZIER.....	\$ 33.12	12.63

PLUM0008-001 06/01/2016

	Rates	Fringes
PLUMBER, Excludes HVAC Pipe Installation.....	\$ 42.64	21.04

PLUM0533-005 06/01/2016

	Rates	Fringes
PIPEFITTER, Includes HVAC Pipe Installation.....	\$ 45.33	19.32

ROOF0020-001 06/01/2016

	Rates	Fringes
ROOFER.....	\$ 32.55	17.09

SFMO0314-004 01/01/2017

PORTION OF COUNTY WITHIN A 30 MILE RADIUS OF THE INTERSECTION
OF PERSHING & BROADWAY IN KANSAS CITY, MO

	Rates	Fringes
SPRINKLER FITTER (Fire Sprinklers).....	\$ 36.74	19.92

* SFMO0669-005 04/01/2017

REMAINDER OF COUNTY

	Rates	Fringes
SPRINKLER FITTER (Fire Sprinklers).....	\$ 34.79	15.84

SHEE0002-027 07/01/2012

	Rates	Fringes
SHEET METAL WORKER: Includes HVAC Unit Installation		

(Excludes HVAC Duct Installation).....\$ 38.39 17.70

 TEAM0541-007 04/01/2016

	Rates	Fringes
TRUCK DRIVER, Includes Dump Truck.....	\$ 32.04	13.45

 SUMO2010-044 06/14/2010

	Rates	Fringes
CEMENT MASON/CONCRETE FINISHER....	\$ 22.34	7.23
OPERATOR: Hoist.....	\$ 26.02	13.01
PAINTER: Spray.....	\$ 17.78	0.00
SHEET METAL WORKER (HVAC Duct Installation Only).....	\$ 15.86	2.08

 WELDERS - Receive rate prescribed for craft performing operation to which welding is incidental.

=====
 Note: Executive Order (EO) 13706, Establishing Paid Sick Leave for Federal Contractors applies to all contracts subject to the Davis-Bacon Act for which the contract is awarded (and any solicitation was issued) on or after January 1, 2017. If this contract is covered by the EO, the contractor must provide employees with 1 hour of paid sick leave for every 30 hours they work, up to 56 hours of paid sick leave each year. Employees must be permitted to use paid sick leave for their own illness, injury or other health-related needs, including preventive care; to assist a family member (or person who is like family to the employee) who is ill, injured, or has other health-related needs, including preventive care; or for reasons resulting from, or to assist a family member (or person who is like family to the employee) who is a victim of, domestic violence, sexual assault, or stalking. Additional information on contractor requirements and worker protections under the EO is available at www.dol.gov/whd/govcontracts.

Unlisted classifications needed for work not included within the scope of the classifications listed may be added after award only as provided in the labor standards contract clauses (29CFR 5.5 (a) (1) (ii)).

 The body of each wage determination lists the classification

and wage rates that have been found to be prevailing for the cited type(s) of construction in the area covered by the wage determination. The classifications are listed in alphabetical order of "identifiers" that indicate whether the particular rate is a union rate (current union negotiated rate for local), a survey rate (weighted average rate) or a union average rate (weighted union average rate).

Union Rate Identifiers

A four letter classification abbreviation identifier enclosed in dotted lines beginning with characters other than "SU" or "UAVG" denotes that the union classification and rate were prevailing for that classification in the survey. Example: PLUM0198-005 07/01/2014. PLUM is an abbreviation identifier of the union which prevailed in the survey for this classification, which in this example would be Plumbers. 0198 indicates the local union number or district council number where applicable, i.e., Plumbers Local 0198. The next number, 005 in the example, is an internal number used in processing the wage determination. 07/01/2014 is the effective date of the most current negotiated rate, which in this example is July 1, 2014.

Union prevailing wage rates are updated to reflect all rate changes in the collective bargaining agreement (CBA) governing this classification and rate.

Survey Rate Identifiers

Classifications listed under the "SU" identifier indicate that no one rate prevailed for this classification in the survey and the published rate is derived by computing a weighted average rate based on all the rates reported in the survey for that classification. As this weighted average rate includes all rates reported in the survey, it may include both union and non-union rates. Example: SULA2012-007 5/13/2014. SU indicates the rates are survey rates based on a weighted average calculation of rates and are not majority rates. LA indicates the State of Louisiana. 2012 is the year of survey on which these classifications and rates are based. The next number, 007 in the example, is an internal number used in producing the wage determination. 5/13/2014 indicates the survey completion date for the classifications and rates under that identifier.

Survey wage rates are not updated and remain in effect until a new survey is conducted.

Union Average Rate Identifiers

Classification(s) listed under the UAVG identifier indicate that no single majority rate prevailed for those classifications; however, 100% of the data reported for the classifications was union data. EXAMPLE: UAVG-OH-0010 08/29/2014. UAVG indicates that the rate is a weighted union average rate. OH indicates the state. The next number, 0010 in the example, is an internal number used in producing the wage

determination. 08/29/2014 indicates the survey completion date for the classifications and rates under that identifier.

A UAVG rate will be updated once a year, usually in January of each year, to reflect a weighted average of the current negotiated/CBA rate of the union locals from which the rate is based.

WAGE DETERMINATION APPEALS PROCESS

1.) Has there been an initial decision in the matter? This can be:

- * an existing published wage determination
- * a survey underlying a wage determination
- * a Wage and Hour Division letter setting forth a position on a wage determination matter
- * a conformance (additional classification and rate) ruling

On survey related matters, initial contact, including requests for summaries of surveys, should be with the Wage and Hour Regional Office for the area in which the survey was conducted because those Regional Offices have responsibility for the Davis-Bacon survey program. If the response from this initial contact is not satisfactory, then the process described in 2.) and 3.) should be followed.

With regard to any other matter not yet ripe for the formal process described here, initial contact should be with the Branch of Construction Wage Determinations. Write to:

Branch of Construction Wage Determinations
Wage and Hour Division
U.S. Department of Labor
200 Constitution Avenue, N.W.
Washington, DC 20210

2.) If the answer to the question in 1.) is yes, then an interested party (those affected by the action) can request review and reconsideration from the Wage and Hour Administrator (See 29 CFR Part 1.8 and 29 CFR Part 7). Write to:

Wage and Hour Administrator
U.S. Department of Labor
200 Constitution Avenue, N.W.
Washington, DC 20210

The request should be accompanied by a full statement of the interested party's position and by any information (wage payment data, project description, area practice material, etc.) that the requestor considers relevant to the issue.

3.) If the decision of the Administrator is not favorable, an

interested party may appeal directly to the Administrative Review Board (formerly the Wage Appeals Board). Write to:

Administrative Review Board
U.S. Department of Labor
200 Constitution Avenue, N.W.
Washington, DC 20210

4.) All decisions by the Administrative Review Board are final.

=====

END OF GENERAL DECISION